



USA | UPPAbaby, 276 Weymouth Street, Rockland, MA 02370
Canada | 5514KM, 201 Wicksteed Avenue, Suite 2, Toronto, Ontario M4G 0B1
uppababy.com | 1.844.823.3132

Model 0920-BAS

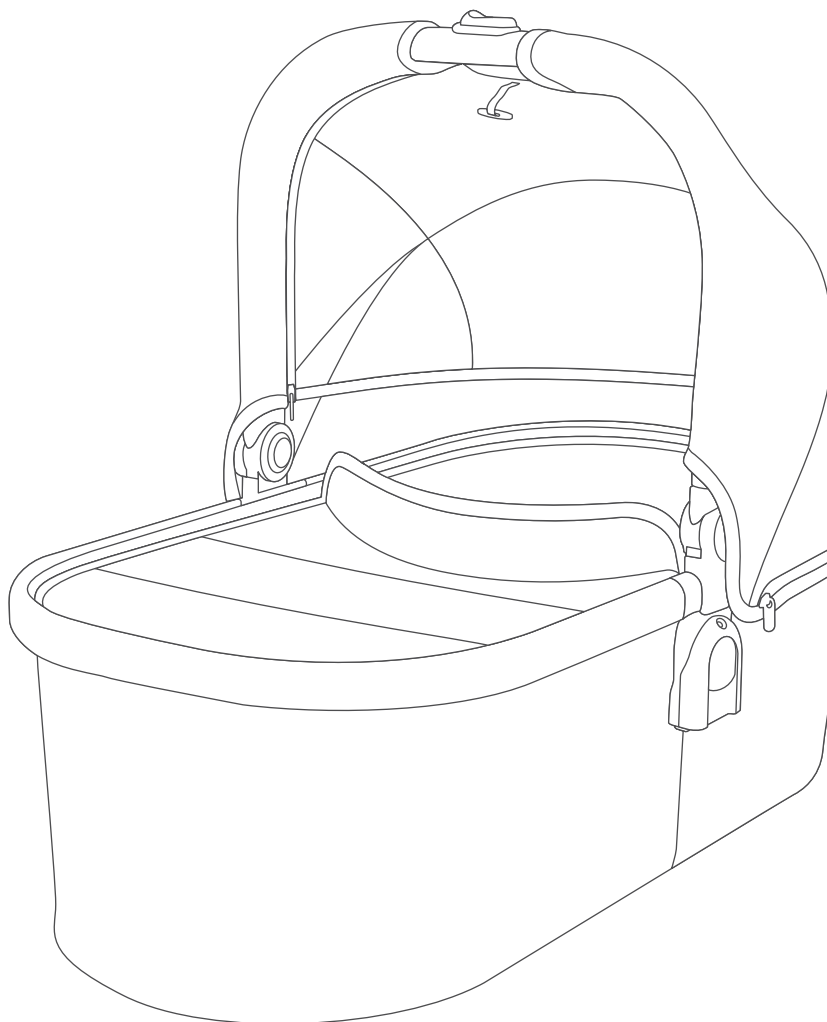
All rights reserved. © 2023 UPPAbaby. UPPAbaby and all associated logos are trademarks. All product specifications are correct at time of print. UPPAbaby reserves the right to change anything at any time without prior notice. Color representation is as close as print processes allow. Not all colors available at all retailers. UBMANI40-V07

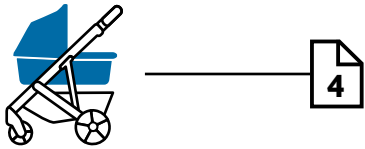
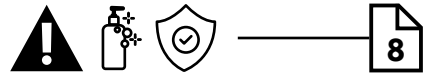
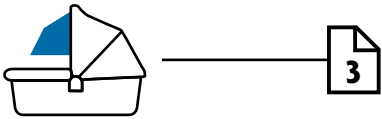
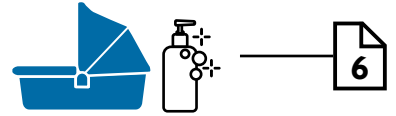
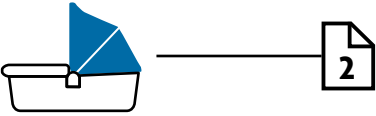
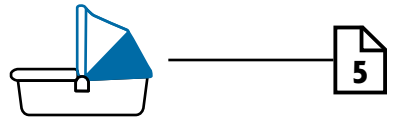
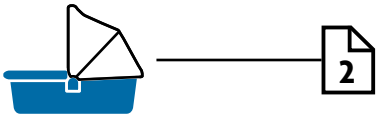


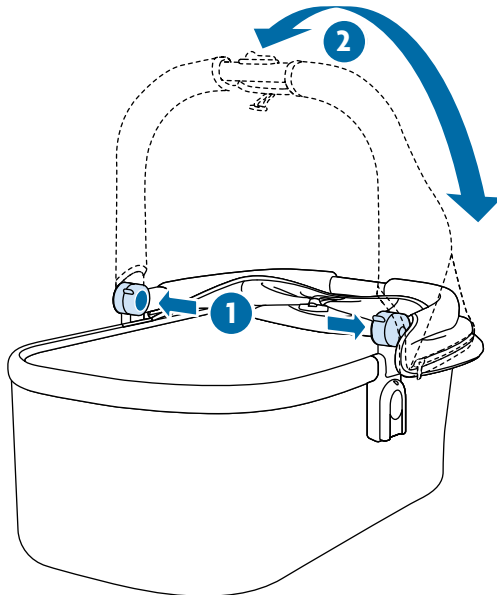
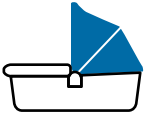
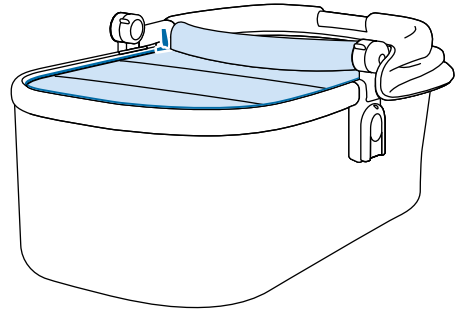
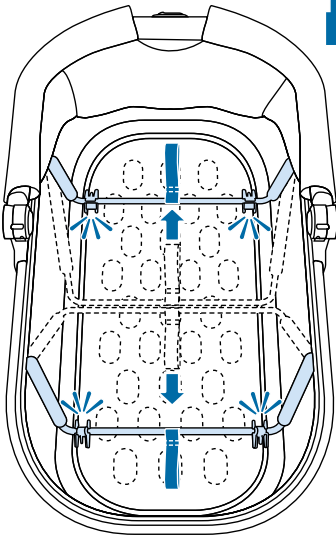
Bassinet | Carrycot | Capazo | Navicella | Tragekorb | Nacelle
Reiswieg | Berço Móvel | Liggdel | Gondola | Port Bebe
Люлька-Переноска | سرير الوليد | מרכב שכיבה | 睡籃

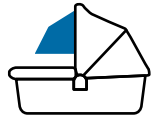



VISTA V2
VISTA
CRUZ V2
CRUZ
RIDGE
MINU V2
MINU

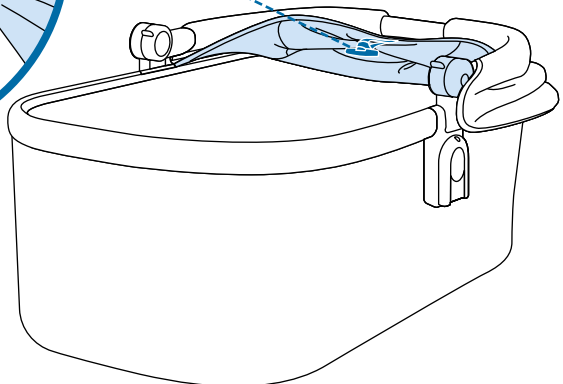
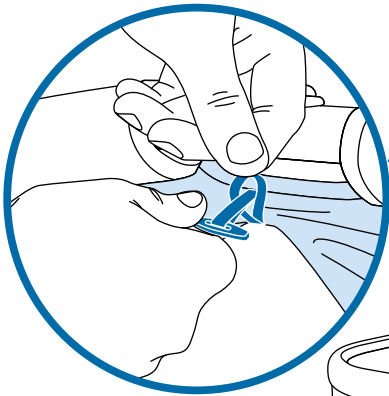
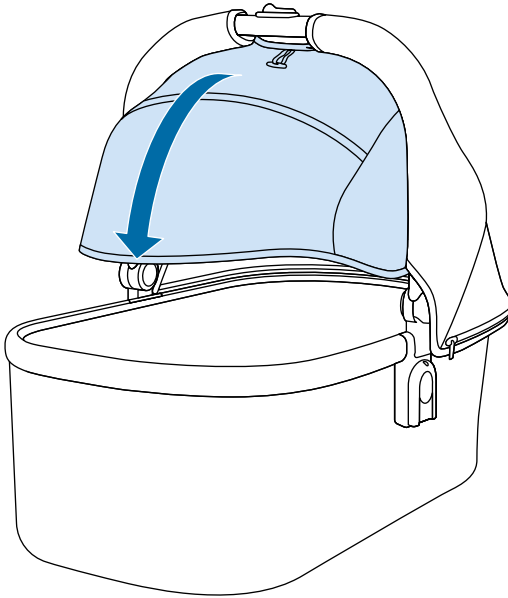


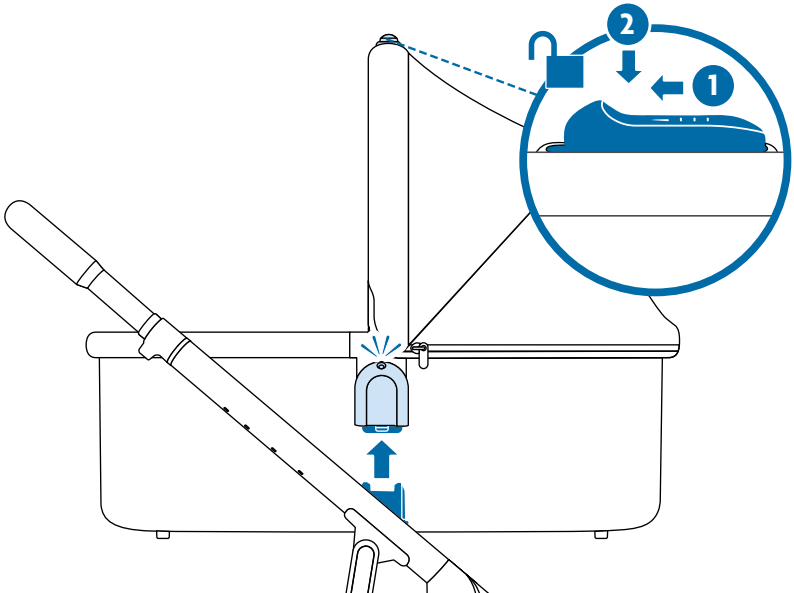
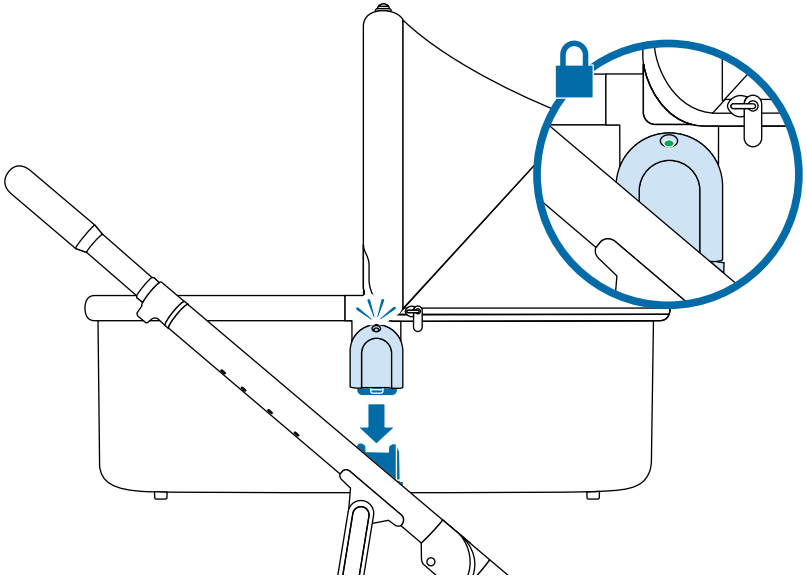


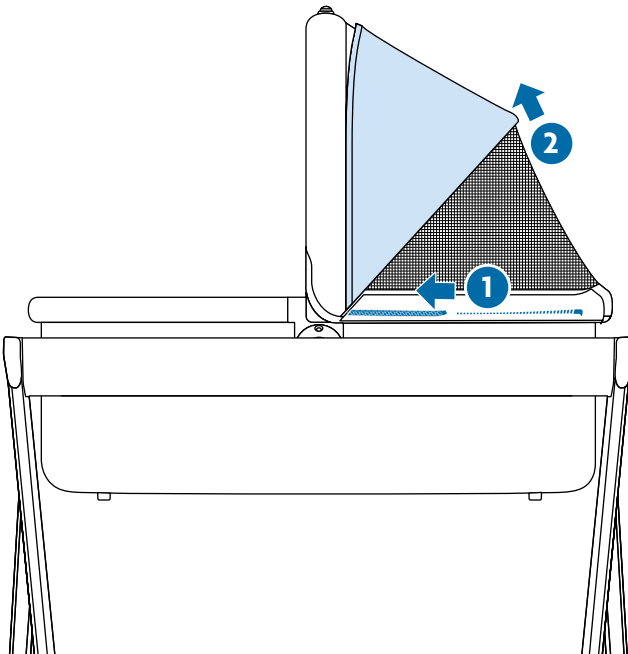
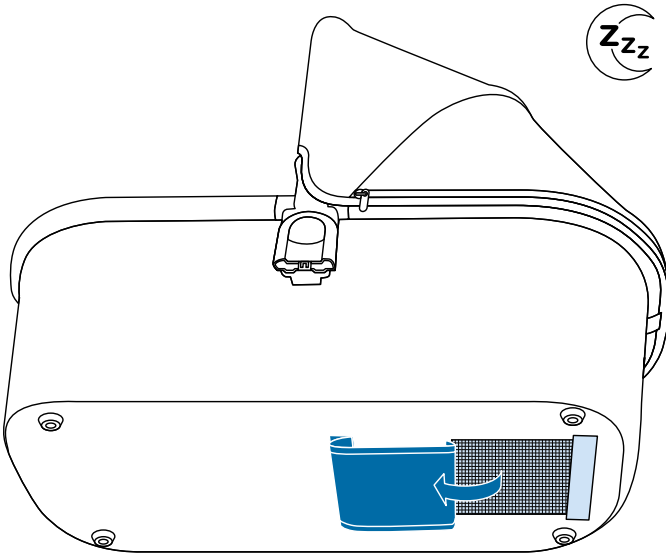
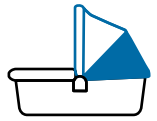


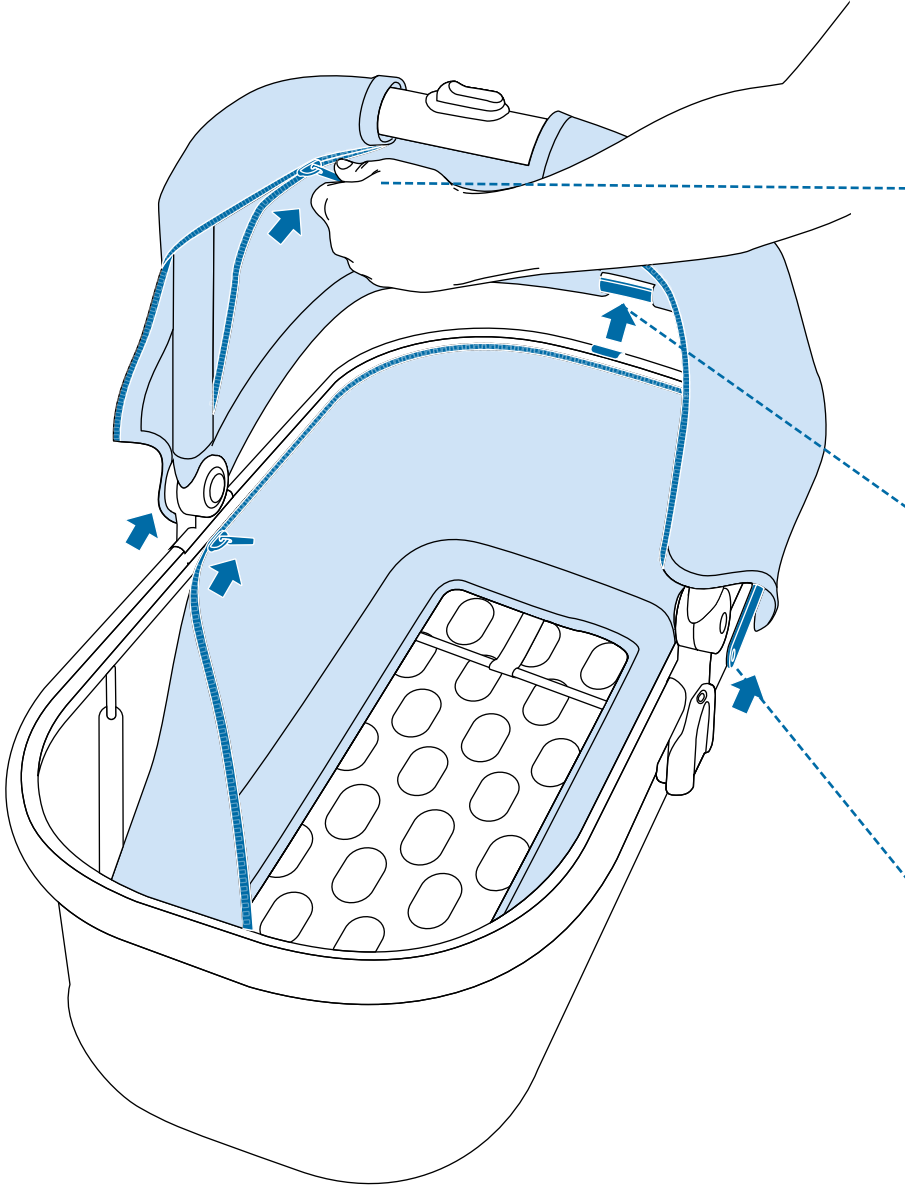
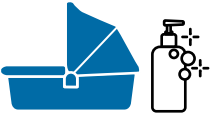


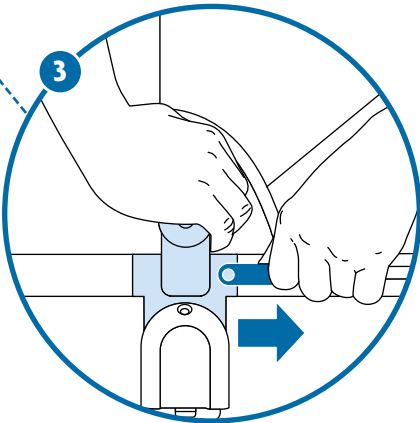
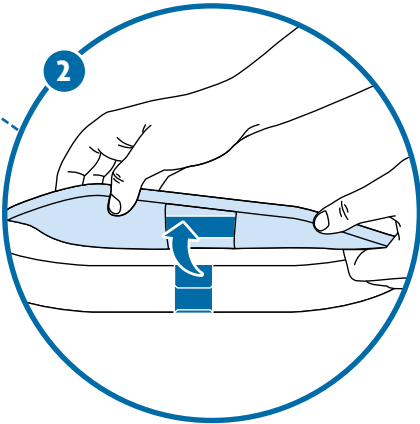
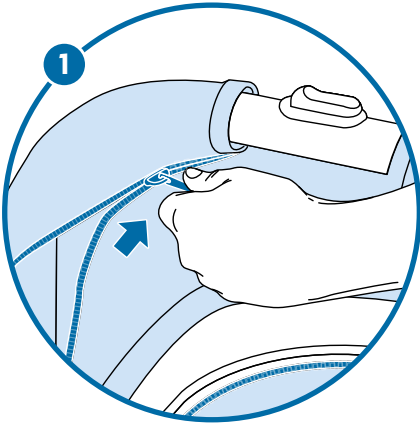

UPF 50+











▲ Keep these instructions for future reference.

▲ WARNING

FAILURE TO FOLLOW THESE WARNINGS AND INSTRUCTIONS COULD RESULT IN SERIOUS INJURY OR DEATH.

Read all instructions before use of the infant carrier.

NEVER use this carrier as a means to transport an infant in a motor vehicle. Use of bassinet boot cover is recommended for added safety of your child.

SUFFOCATION HAZARD: Infant carrier can roll over on soft surfaces and suffocate child. **NEVER** place carrier on beds, sofas, or other soft surfaces.

DO NOT permit other children to play unsupervised next to the bassinet.

Open flames and other sources of heat, such as electric heaters, gas ovens, etc. in the immediate vicinity of the bassinet are dangerous and should be avoided.

Always use UPPAbaby Bassinet with compatible UPPAbaby strollers and UPPAbaby Bassinet Stand.

DO NOT use the infant carrier if it is damaged or broken. Damage to fingers or extremities may occur when opening or closing the frame.

This bassinet is intended to be used with one child only.

Bassinet is suitable for infants from birth until infant is 20 lbs (9 kg).

Audible “click” must be heard in order to determine that each lock is in the proper position. To ensure proper locking engagement, check to see that the bassinet handle cannot be disengaged from the stroller without unlocking the device.

Check that safety indicator is green to ensure bassinet is properly installed.

Bassinet must be removed to fold stroller.

Always make sure stroller is fully open and locked before use.

The brake must be locked while taking the child in or out of the stroller, and when parked.

NEVER leave child in the stroller while ascending or descending stairs, or using an escalator.

DO NOT make any alterations or modifications to the bassinet with products not supplied by the manufacturer as this may cause instability or structural damage not covered under warranty.

NOTE: Not intended for use with UPPAbaby VISTA models from 2014 or earlier.

⚠️ FALL HAZARD

To help prevent falls, **DO NOT** use this product when the infant begins to push up on hands and knees or has reached manufacturer's recommended maximum weight, 20 lbs (9 kg), whichever comes first.

Always check that the bassinet is securely locked on the stroller by pulling upwards on the bassinet bed, before placing the child in the bassinet.

Child's activity can move carrier. **NEVER** place carrier on counter tops, tables, or any other elevated surface.

⚠️ STRANGULATION WARNING

Strings can cause strangulation! **DO NOT** place items with a string around a child's neck, such as hood strings or pacifier cords. **DO NOT** suspend strings over a bassinet or cradle or attach strings to toys.

⚠️ WARNING SUFFOCATION HAZARD

Infants have suffocated in gaps between extra padding and side of bassinet, and on soft bedding.

Use only the pad provided by manufacturer. **NEVER** add a pillow, comforter, or another mattress for padding.

If a sheet is used with the pad, use only the one provided by the bassinet manufacturer or one specifically designed to fit the dimension of the bassinet.

To reduce the risk of SIDS, pediatricians recommend healthy infants be placed on their backs to sleep, unless otherwise advised by your physician.

DO NOT allow any part of sunshade or bassinet storage bag to cover a child's nose or mouth.

For extended sleep, make sure canopy is raised and locked in upright open position.

This product is JPMA certified.

▲ Guarde estas instrucciones para su referencia en el futuro.

▲ ADVERTENCIA

NO SEGUIR ESTAS ADVERTENCIAS E INSTRUCCIONES PUEDE PROVOCAR LESIONES GRAVES O LA MUERTE.

Lea todas las instrucciones antes de su uso del capazo.

NUNCA use este transportador como medio de transporte para un bebé en un vehículo a motor.

Se recomienda el uso de la cubierta del capazo para mayor seguridad de su niño.

PELIGRO DE ASFIXIA: Al estar sobre una superficie mullida, el cargador infantil podría volcarse y sofocar al bebé. **NUNCA** ponga el cargador sobre camas, sofás u otro tipo de superficies blandas.

NO deje que otros niños jueguen sin supervisión cerca del capazo.

Las llamas abiertas y otras fuentes de calor, como calentadores eléctricos y hornos de gas, en las inmediaciones del capazo son peligrosas y deben evitarse.

Usa siempre el capazo UPPAbaby con cochecitos UPPAbaby y el soporte para el capazo UPPAbaby compatibles.

NO use el transportador de bebés si está roto o dañado.

Este capazo está pensado para usarse con un solo niño a la vez.

El capazo es apropiado para niños de hasta 20 lbs (9 kg).

Debe oírse un “clic” para determinar que cada bloqueo se encuentra en la posición adecuada. Para asegurarse de un bloqueo correcto, compruebe que el asa del capazo no puede separarse del carrito sin desbloquear el dispositivo.

Compruebe que el indicador de seguridad está verde para garantizar la correcta instalación del capazo.

Para plegar el carrito, es necesario quitar el capazo antes.

Asegúrese siempre de que el carrito está completamente abierto y bloqueado antes de usarlo.

El freno debe estar bloqueado al meter o sacar al niño del carrito, y cuando esté aparcado.

NUNCA deje a un niño dentro del carrito al subir o bajar escaleras, o al usar una escalera mecánica.

NO realice alteraciones o modificaciones en el carrito con productos no proporcionados por el fabricante, puesto que podría provocar inestabilidad o daño estructural no cubierto por la garantía.

NOTA: Su uso no está previsto con los modelos UPPAbaby VISTA de 2014 o anteriores.

⚠ PELIGRO DE CAÍDA

Para evitar caídas, **NO** use este producto cuando el bebé empiece a empujar con las manos y rodillas o haya alcanzado el peso máximo recomendado por el fabricante 20 lbs (9 kg), lo que ocurra primero.

Compruebe siempre que el capazo está bien encajado en el carrito tirando hacia arriba de la cama del capazo antes de colocar al niño en el capazo.

La actividad del bebé puede mover el transportador. **NUNCA** coloque el transportador en encimeras, mesas u otras superficies elevadas.

⚠ ADVERTENCIA DE ESTRANGULAMIENTO

Los cordones pueden provocar estrangulamiento. **NO** coloque artículos con un cordón alrededor del cuello del niño, como capuchas con cordones o cordones para el chupete. **NO** suspenda cordones sobre un capazo o cuna ni ate cordones a juguetes.

⚠ ADVERTENCIA RIESGO DE ASFIXIA

Algunos bebés se han asfixiado en huecos entre un colchón extra y el lateral del capazo o sobre camas blandas.

Use únicamente el colchón provisto por el fabricante. **NUNCA** añada un colchón, edredón u otro colchón para acolchado.

Si se usa una sábana con el colchón, solo puede ser la provista por el fabricante del capazo o una diseñada específicamente para adaptarse a las dimensiones del capazo.

Para reducir el riesgo de SIDS, los pediatras recomiendan que los bebés sanos duerman boca arriba, a menos que su médico recomiende lo contrario.

NO permita que ninguna parte de la sombrilla o de la bolsa de almacenaje del capazo cubra la nariz o la boca del bebé.

Para las largas siestas, asegúrese de que la capota está levantada y bloqueada en la posición vertical abierta.

Este producto está Certificado por JPMA.

▲ Conservez ces instructions pour référence ultérieure.

▲ MISE EN GARDE

LE NON RESPECT DE CES MISES EN GARDE OU DE CES DIRECTIVES PEUT CAUSER DES BLESSURES GRAVES, VOIRE MORTELLES.

Lire toutes les instructions avant d'utiliser la nacelle.

NE JAMAIS utiliser cette nacelle pour transporter un enfant dans un véhicule motorisé.

L'utilisation de la chancelière de la nacelle est recommandée pour améliorer la sécurité de l'enfant.

RISQUE DE SUFFOCATION: Le siège auto placé sur des surfaces molles peut se renverser et étouffer l'enfant. **NE JAMAIS** placer le siège auto sur un lit, un sofa ou d'autres surfaces molles.

NE PAS laisser d'autres enfants jouer sans surveillance près de la nacelle.

Les flammes nues et autres sources de chaleur, comme les radiateurs électriques, les fours à gaz, etc. à proximité immédiate de la nacelle sont dangereuses et doivent être évitées.

Utilisez toujours la nacelle UPPAbaby avec les poussettes UPPAbaby et le support de nacelle UPPAbaby compatibles.

NE PAS utiliser la nacelle si elle est endommagée.

Cette nacelle est conçue pour recevoir un seul enfant.

La nacelle convient aux bébés à partir de la naissance jusqu'à ce qu'ils pèsent 9 kg (20 lb).

Un « clic » sonore doit être entendu afin de déterminer que chaque verrou est positionné correctement. Pour s'assurer que les verrous sont bien fermés, vérifier que la poignée de la nacelle ne peut pas être séparée de la poussette sans déverrouiller le tout.

Vérifier que l'indicateur de sécurité est vert, confirmant que la nacelle est correctement installée.

Retirer la nacelle pour plier la poussette.

Toujours vérifier que la poussette est entièrement dépliée et verrouillée avant de l'utiliser.

Serrer le frein avant d'installer l'enfant dans la poussette ou de l'en sortir, ou lorsque la poussette est immobilisée.

NE JAMAIS laisser un enfant dans la poussette en montant ou en descendant un escalier, y compris un escalier mécanique.

REMARQUE: Ne pas utiliser avec les modèles UPPAbaby VISTA de 2014 ou antérieurs.

NE PAS altérer ou modifier la poussette avec des produits qui n'ont pas été fournis par le fabricant, car cela peut causer une instabilité ou des dommages structurels qui ne sont pas couverts par la garantie.

NE PAS utiliser la nacelle si elle est endommagée.

⚠ RISQUE DE CHUTE

Afin d'éviter les chutes, **NE PAS** utiliser ce produit lorsque l'enfant commence à se mettre à quatre pattes ou a atteint le poids maximal recommandé par le fabricant 9 kg (20 lb), le premier des deux prévalant.

Toujours vérifier que la nacelle est fixée à la poussette de façon sécuritaire en la tirant vers le haut avant d'y installer l'enfant.

Les mouvements de l'enfant peuvent déplacer la nacelle. **NE JAMAIS** placer la nacelle sur un comptoir, une table ou toute autre surface haute.

⚠ RISQUE D'ÉTRANGLEMENT

Les cordons présentent un risque d'étranglement! **NE PAS** placer des objets comportant des cordons autour du cou d'un enfant, comme les cordons de capuchon ou de sucette. **NE PAS** suspendre de cordons au-dessus d'une nacelle ou d'un berceau, ni attacher de cordons aux jouets.

⚠ MISE EN GARDE RISQUE D'ÉTOUFFEMENT

Des enfants se sont étouffés dans l'espace entre un coussin d'appoint et le côté de leur nacelle, et sur des matelas mous.

Utiliser uniquement le coussin fourni par le fabricant. **NE JAMAIS** ajouter d'oreiller de couverture ou d'autre matelas.

Pour couvrir le coussin utiliser seulement un drap fourni par le fabricant de la nacelle ou un drap conçu spécifiquement aux dimensions de la nacelle.

Pour réduire le risque de mort subite du nourrisson, les pédiatres recommandent qu'un enfant en bonne santé soit allongé sur le dos pour dormir, à moins d'un avis contraire de votre médecin.

NE PAS laisser le pare-soleil ou le sac de rangement de la nacelle couvrir le nez ou la bouche de l'enfant.

Pour un long sommeil, assurez-vous que l'auvent est levé et verrouillé en position verticale ouverte.

Ce produit est certifié JPMA.

▲ Keep these instructions for future reference.

PLEASE READ THIS MANUAL CAREFULLY BEFORE USING THIS STROLLER. FAILURE TO FOLLOW INSTRUCTIONS PROPERLY MAY RESULT IN SERIOUS INJURY TO YOUR CHILD.

▲ WARNING

DO NOT let other children play unattended near the bassinet.

Audible “click” must be heard in order to determine that each lock is in the proper position. To ensure proper locking engagement, check to see that the bassinet handle cannot be disengaged from the pram without unlocking the device, and/or indicator on sides of bassinet is green.

This product is suitable only for a child who cannot sit up unaided, roll over and cannot push itself up on its hands and knees.

Maximum weight of the child: 9 kg (20 lbs).

WHEN BASSINET IS USED AS A PRAM:

▲ WARNING

TO AVOID INJURY OR DEATH:

ALWAYS APPLY THE BRAKES WHENEVER THE PRAM/STROLLER IS STATIONARY.

DO NOT LEAVE CHILDREN UNATTENDED.

DO NOT CARRY EXTRA CHILDREN OR BAGS ON THIS PRAM/STROLLER.

MAKE SURE CHILDREN ARE CLEAR OF ANY MOVING PARTS IF YOU ADJUST THE PRAM/STROLLER.

ALWAYS USE THE TETHER STRAP TO PREVENT THE PRAM/STROLLER FROM ROLLING AWAY.

Unit may become unstable if the manufacturer’s recommended load is exceeded, or if a parcel bag, accessory, or rack other than that recommended by the manufacturer is used or hung from the unit.

DO NOT make any alterations or modifications to the product with parts not supplied by the manufacturer, as this may cause instability or structural damage not covered under warranty.

DO NOT use this bassinet with any other models of stroller.

It is unsafe to use accessories other than those approved by UPPAbaby.

Extreme care should be taken if the pram/stroller is used on stairs or an escalator.

The pram/stroller should not be used near an open fire or exposed flame.

The pram/stroller is designed for use on flat or gently sloping surfaces and may be unstable on higher sloping and uneven surfaces and could tip over if on sloping, unstable or uneven surfaces.

⚠️ WARNING SUFFOCATION HAZARD

Infants can suffocate in gaps between an extra pad and side of bassinet or on soft bedding.

NEVER add a mattress, pillow, comforter, or padding. Use **ONLY** the pad provided by the manufacturer.

Infants can roll over on soft surfaces and suffocate child. **NEVER** place bassinet on beds, sofas, or other soft surfaces.

To reduce the risk of SIDS Pediatricians recommend healthy infants be placed on their backs to sleep, unless otherwise advised by a Physician.

DO NOT allow any part of sunshade or bassinet storage bag to cover a child's nose or mouth.

For extended sleep, make sure canopy is raised and locked in upright open position.

⚠️ WARNING FALL HAZARD

To prevent falls, do not use this product when the infant begins to push up on hands and knees or has reached manufacturer's recommended maximum weight, whichever comes first.

Child's movement can slide bassinet. **NEVER** place bassinet near edges of counter tops, tables, or other elevated surface.

Use only on a firm ground which is horizontal, level and dry when not in use with the pram/stroller.

If the bassinet is intended to be used with a stand, check that the dimensions of the latter correspond to those of the bassinet base (36 cm w x 75 cm h).

This bassinet is designed to be used with the UPPAbaby VISTA V2, VISTA*, CRUZ V2, CRUZ, RIDGE, MINU V2, MINU and UPPAbaby VISTA bassinet stand only.

***NOTE:** Not intended for use with UPPAbaby VISTA models from 2014 or earlier.

NEVER use the bassinet as a means to transport an infant in a motor vehicle.

To avoid serious injury or death to your child, do not use this bassinet as a car bed.

Use of bassinet boot cover is recommended for added safety of your child.

Complies with AS 2088 and TPA 1974 NO. 8 Consumer Product Safety Standard for Prams and Strollers.

⚠️ IMPORTANT

KEEP INSTRUCTIONS FOR FUTURE REFERENCE. ALWAYS READ INSTRUCTIONS CAREFULLY BEFORE USE. YOUR CHILD'S SAFETY MAY BE AFFECTED IF YOU DON'T FOLLOW THEM.

⚠️ WARNING

A CHILD'S SAFETY IS YOUR RESPONSIBILITY.

This product is suitable only for a child who cannot sit up unaided, roll over and cannot push itself up on its hands and knees.

Maximum weight of the child: 9 kg.

DO NOT use if any part of the carrycot is broken, torn or missing.

DO NOT let other children play unattended near the carrycot.

Accessories other than those approved by UPPAbaby should not be used.

Use only replacement parts supplied or approved by UPPAbaby.

DO NOT make any alterations or modifications to the product with parts not supplied by the manufacturer, as this may cause instability or structural damage not covered under warranty.

Audible "click" must be heard in order to determine that each lock is in the proper position. To ensure proper locking engagement, check to see that the carrycot/carry handle cannot be disengaged from the pram without unlocking the device.

Check that safety indicator is green to ensure carrycot is properly installed.

Check the handle and bottom of carrycot regularly for signs of damage and wear.

The head of the child in the carrycot should never be lower than the child's body.

For extended sleep, make sure canopy is raised and locked in upright open position.

Children should not be left unattended in the carrycot with rain cover fitted.

Rain cover must be removed when indoors and in hot weather to prevent overheating and possible risk of suffocation.

NOTE: Not intended for use with UPPAbaby VISTA models from 2014 or earlier.

⚠️ WARNING

CARELESSNESS CAUSES FIRE

Be aware of the risk of open fire and other sources of strong heat, such as electric bar fires, gas fires, etc. in the near vicinity of the carrycot.

⚠️ WARNING SUFFOCATION HAZARD

Infants can suffocate in gaps between an extra pad and side of carrycot or on soft bedding.

NEVER add a mattress, pillow, comforter, or padding. Use **ONLY** the pad provided by the manufacturer.

Infant carrycot can roll over on soft surfaces and suffocate child. **NEVER** place carrycot on beds, sofas, or other soft surfaces.

To reduce the risk of SIDS Pediatricians recommend healthy infants be placed on their backs to sleep, unless otherwise advised by a Physician.

DO NOT allow any part of sunshade or carrycot storage bag to cover a child's nose or mouth.

⚠️ WARNING FALL HAZARD

To prevent falls, do not use this product when the infant begins to push up on hands and knees or has reached manufacturer's recommended maximum weight, whichever comes first.

Child's movement can slide carrycot. **NEVER** place carrycot near edges of counter tops, tables, or other elevated surface.

Use only on a firm, horizontal, level and dry surface when not in use with the pushchair.

If the carrycot is intended to be used with a stand, check that the dimensions of the latter correspond to those of the carrycot base (36 cm w x 76 cm h).

NEVER use the carrycot as a means to transport an infant in a motor vehicle.

To avoid serious injury or death to your child, do not use this carrycot as a car bed.

Use of carrycot boot cover is recommended for added safety of your child.

Manufactured to comply with: EN 1888-1, EN 1466

Manufactured to comply with: BS EN 1888-1, BS EN 1466

▲ IMPORTANTE

**LGUARDE LAS INSTRUCCIONES PARA SU REFERENCIA EN EL FUTURO.
LEA SIEMPRE LAS INSTRUCCIONES ATENTAMENTE ANTES DEL USO.
LA SEGURIDAD DE SU HIJO PUEDE VERSE AFECTADA SI NO LAS SIGUE.**

▲ ADVERTENCIA

LA SEGURIDAD DE UN NIÑO ES SU RESPONSABILIDAD.

Este producto solo es adecuado para niños que no puedan sentarse sin ayuda, darse la vuelta y no puedan incorporarse sobre sus manos y rodillas.

Peso máximo del niño: 9 kg.

NO lo use si falta cualquier pieza del capazo, está rota o torcida.

NO deje que otro niño juegue sin supervisión cerca del capazo.

NO deberían usarse accesorios que no estén aprobados por UPPAbaby.

Solo deben emplearse piezas de repuesto suministradas o aprobadas por UPPAbaby.

NO realice alteraciones o modificaciones en el producto con piezas no provistas por el fabricante, puesto que podría provocar inestabilidad o daño estructural no cubierto por la garantía.

Debe oírse un “clic” para determinar que cada bloqueo se encuentra en la posición adecuada. Para asegurarse de un bloqueo correcto, compruebe que el asa de carga/capazo no puede separarse del cochecito sin desbloquear el dispositivo.

Compruebe que el indicador de seguridad está verde para garantizar la correcta instalación del capazo.

Compruebe regularmente el asa y el fondo del capazo en busca de signos de daño y desgaste.

La cabeza del niño en el capazo no debería estar nunca más baja que el cuerpo del niño.

Para las largas siestas, asegúrese de que la capota está levantada y bloqueada en la posición vertical abierta.

No debería dejarse a los niños sin supervisión en el capazo con la burbuja de lluvia ajustada.

La burbuja de lluvia debe retirarse en interiores y con tiempo caluroso para evitar un sobrecalentamiento y un posible riesgo de asfixia.

NOTA: Su uso no está previsto con los modelos UPPAbaby VISTA de 2014 o anteriores.

⚠️ ADVERTENCIA RIESGO DE ASFIXIA

Los bebés pueden asfixiarse en huecos entre un colchón extra y el lateral del capazo o sobre camas blandas.

NUNCA añada un colchón, almohada, edredón o acolchado. Use **SÓLO** el colchón provisto por el fabricante.

Un capazo de bebé puede volcar en superficies blandas y asfixiar al niño.

NUNCA coloque un capazo sobre camas, sofás u otras superficies blandas.

Para reducir el riesgo de SMSL, los pediatras recomiendan que los bebés sanos duerman boca arriba, a menos que un médico recomiende lo contrario.

NO permita que ninguna parte de la sombrilla o de la bolsa de almacenaje del capazo cubra la nariz o la boca del bebé.

⚠️ ADVERTENCIA RIESGO DE CAÍDA

Para evitar caídas, no use este producto cuando el bebé empiece a empujar con las manos y rodillas o haya alcanzado el peso máximo recomendado por el fabricante, lo que ocurra primero.

El movimiento del bebé puede deslizar el capazo. **NUNCA** coloque el capazo cerca de bordes de encimeras, mesas u otras superficies elevadas.

Usar solo sobre un terreno firme que sea horizontal, nivelado y seco cuando no se use con el cochecito.

Si se pretende usar el capazo con un soporte, compruebe que las dimensiones de este corresponden a las de la base del capazo (36 cm ancho x 76 cm alto).

NUNCA use el capazo como medio de transporte para un bebé en un vehículo a motor.

Para evitar graves lesiones o la muerte de su niño, no use este capazo como una cama de coche.

Se recomienda el uso de la cubierta de bota del capazo para mayor seguridad de su niño. **NO** permita que ninguna parte de la sombrilla o de la bolsa de almacenaje del capazo cubra la nariz o la boca del bebé.

⚠️ ADVERTENCIA EL DESCUIDO PUEDE CAUSAR UN INCENDIO

Preste atención al riesgo de las llamas abiertas y otras fuentes de calor fuerte, como fogones eléctricos de bar, hornos de gas, en las inmediaciones del capazo.

Fabricado para cumplir con la normativa: EN 1888-1, EN 1466

Fabricado para cumplir con la normativa: BS EN 1888-1, BS EN 1466

▲ IMPORTANTE

CONSERVARE LE ISTRUZIONI PER CONSULTAZIONE FUTURA. LEGGERE SEMPRE LE ISTRUZIONI CON ATTENZIONE PRIMA DELL'USO. LA MANCATA OSSERVANZA PUÒ COMPROMETTERE LA SICUREZZA DEL VOSTRO BAMBINO.

▲ AVVERTENZA

LA SICUREZZA DEL BAMBINO È VOSTRA RESPONSABILITÀ.

Il prodotto è adatto solo per un bambino che non può stare seduto da solo, che rotola o non è in grado di sollevarsi sulle mani e sulle ginocchia.

Peso massimo del bambino: 9 kg.

NON utilizzare se una parte della navicella è rotta, lacerata o mancante.

NON lasciare che gli altri bambini giochino incustoditi accanto alla navicella.

Accessori diversi da quelli approvati da UPPAbaby non devono essere utilizzati.

Utilizzare esclusivamente le parti di ricambio fornite o approvate da UPPAbaby.

NON apportare qualsiasi alterazione o modifica al prodotto con parti non forniti dal produttore, perché questo può causare instabilità o danni strutturali non coperti dalla garanzia.

Un "clic" udibile deve essere sentito per stabilire che ogni blocco è in posizione corretta. Per garantire il corretto aggancio del dispositivo di blocco, verificare che la maniglia della navicella/non possa sganciarsi dalla carrozzina senza sbloccare il dispositivo.

Verificare che la spia luminosa sia verde per accertarsi che la navicella sia installata correttamente.

Verificare regolarmente l'eventuale presenza di danni e usura della maniglia e del fondo della navicella.

La testa del bambino all'interno della navicella non deve mai essere più in basso del suo corpo.

Per la posizione completamente reclinata, accertarsi che la capottina sia alzata e bloccata in posizione aperta e dritta.

I bambini non devono essere lasciati incustoditi all'interno della navicella con il parapigioggia installato.

Il parapigioggia deve essere rimosso quando ci si trova in ambienti interni e quando fa caldo per impedire il surriscaldamento e il potenziale rischio di soffocamento.

NOTA: non adatto all'uso con i modelli UPPAbaby VISTA dal 2014 o precedenti.

⚠ AVVERTENZA PERICOLO DI SOFFOCAMENTO

I neonati possono soffocare nei vuoti tra un'imbottitura extra e il lato della navicella o su coperte soffici.

NON AGGIUNGERE MAI un materassino, un cuscino, una trapunta o un'imbottitura. Utilizzare **ESCLUSIVAMENTE** l'imbottitura fornita dal produttore.

La navicella per neonati può rotolare su superfici morbide e soffocare il bambino.

NON METTERE MAI la navicella su letti, divani o altre superfici morbide.

Per ridurre il rischio di SIDS (sindrome della morte improvvisa del lattante) i pediatri raccomandano di mettere a dormire i neonati sani sulla schiena, salvo indicazioni diverse da parte del pediatra.

NON lasciare che alcuna parte del parasole o della sacca per navicella copra il naso o la bocca del bambino.

⚠ AVVERTENZA PERICOLO DI CADUTA

Per impedire le cadute, non utilizzare il prodotto quando il bambino inizia a sollevarsi su mani e ginocchia o raggiunge il peso massimo consigliato dal produttore, indipendentemente da quale delle due avvenga per prima.

I movimenti del bambino possono far scivolare la navicella. **NON METTERE MAI** la navicella vicino al bordo di banconi, tavoli o altre superfici elevate.

Utilizzare solo su una superficie stabile, orizzontale, pianeggiante e asciutta quando non in uso con il passeggino.

Se la navicella è destinata a essere utilizzata con un supporto, verificare che le dimensioni di quest'ultimo corrispondano a quelle della base della navicella (36 cm x 76 cm larghezza x altezza).

NON UTILIZZARE MAI la navicella come mezzo di trasporto per un neonato su una motocicletta.

Per evitare lesioni gravi o la morte del bambino, non utilizzare la navicella come lettino per auto.

Si raccomanda l'uso della coperta della navicella per una maggiore sicurezza del bambino.

⚠ AVVERTENZA LA NEGLIGENZA CAUSA INCENDI

Tenere in considerazione il rischio legato a fiamme libere e altre fonti di forte calore, come fornelli a gas, stufe elettriche ecc. nelle immediate vicinanze della navicella.

Fabbricato per essere conforme a: EN 1888-1, EN 1466

Fabbricato per essere conforme a: BS EN 1888-1, BS EN 1466

▲ WICHTIG

BEHALTEN SIE DIESE ANLEITUNG FÜR ZUKÜNFTIGE VERWENDUNG. LESEN SIE DIE ANWEISUNGEN AUFMERKSAM VOR DER NUTZUNG. DIE SICHERHEIT IHRES KINDES KÖNNTE GEFÄHRDET WERDEN, WENN SIE DIESE NICHT BEFOLGEN.

▲ ACHTUNG

DIE SICHERHEIT IHRES KINDES IST IHRE VERANTWORTUNG.

Dieses Produkt eignet sich nur für ein Kind, welches sich noch nicht selbständig aufsetzen, umdrehen oder sich auf seine Hände und Knie aufstützen kann.

Maximales Gewicht des Kindes: 9 kg.

Nutzen Sie dieses Produkt **NICHT**, falls irgendein Teil des Tragekorb beschädigt oder gerissen ist oder fehlt.

Lassen Sie **NIEMALS** andere Kinder unbeaufsichtigt in der Nähe des Tragekorbs spielen.

Anderes Zubehör als jenes, das von UPPAbaby befürwortet wird sollte nicht verwendet werden.

Nutzen Sie nur Ersatzteile, die von UPPAbaby zur Verfügung gestellt oder befürwortet werden.

Nehmen Sie **NIEMALS** irgendwelche Änderungen oder Modifikationen unter Verwendung nicht im Lieferumfang enthaltener Teile an dem Produkt vor, da dies die Stabilität des Produkts beeinflussen oder Beschädigungen verursachen kann, die nicht von der Garantie abgedeckt sind.

Es muss ein deutliches Klickgeräusch zu hören sein, um sicherzustellen, dass alle Sicherungen ordnungsgemäß eingerastet sind. Um ordnungsgemäßes einrasten sicherzustellen, stellen Sie sicher, dass der Tragekorb/der Träger nicht vom Kinderwagen entfernt werden kann, ohne dass sich die Vorrichtung löst.

Achten Sie darauf, dass die Sicherheitsanzeige grün ist, um sicherzustellen, dass der Tragekorb korrekt installiert ist.

Prüfen Sie den Träger und den Boden des Tragekorbs regelmäßig auf Anzeichen von Abnutzung und auf Beschädigungen.

Der Kopf des Kindes im Tragekorb sollte nie tiefer liegen als der Körper des Kindes.

Wenn das Kind längere Zeit schläft, stellen Sie sicher, dass das Verdeck geöffnet ist und in der höchst möglichen Position eingerastet ist.

Kinder soll nie unbeaufsichtigt in dem Tragekorb gelassen werden, wenn die Regenabdeckung verwendet wird.

Die Regenabdeckung muss bei heißem Wetter entfernt werden oder wenn Sie sich in Innenräumen befinden, um Überhitzung oder ein mögliches Erstickungsrisiko zu verhindern.

HINWEIS: Nicht für die Verwendung mit UPPAbaby VISTA-Modellen von 2014 oder früher bestimmt.

⚠️ WARNHINWEIS ERSTICKUNGSGEFAHR

Säuglinge können in den Lücken zwischen eines zusätzlichen Polsters und der Seite des Tragekorbs oder auf weichem Bettzeug ersticken.

Nutzen Sie **NIEMALS** zusätzlich eine Matratze, ein Kissen, eine Steppdecke oder Polsterung. Nutzen Sie NUR das Polster, das vom Hersteller zur Verfügung gestellt wird.

Der Säuglings-Tragekorb kann auf weichen Oberflächen umkippen und das Kind ersticken. Platzieren Sie den Tragekorb **NIEMALS** auf Betten, Sofas oder anderen weichen Oberflächen.

Um das Risiko von SIDS (plötzlichem Kindstod) zu reduzieren, empfehlen Kinderärzte gesunde Säuglinge zum Schlafen auf ihren Rücken zu legen, es sei denn es liegt eine anderweitige, ärztliche Anweisung vor.

Nase und Mund des Kindes dürfen **NIEMALS** durch Teile des Sonnenschutzes oder des Tragekorbes bedeckt sein.

⚠️ WARNHINWEIS FALLGEFAHR

Um einen Fall zu verhindern, verwenden Sie das Produkt **NIEMALS**, wenn das Baby entweder beginnt, sich auf seine Hände und Knie aufzustützen, oder das vom Hersteller empfohlene maximale Körpergewicht erreicht hat, je nachdem, was zuerst eintritt.

Die Bewegung des Kindes kann den Tragekorb ins Rutschen bringen. Stellen Sie den Tragekorb **NIEMALS** auf der Kante von Arbeitsflächen, Tischen oder anderen erhöhten Oberflächen auf.

Verwenden Sie den Tragekorb ausschließlich auf einem festen, ebenen, horizontalen, glatten und trockenen Untergrund, falls dieser nicht mit einem Kinderwagen zusammen benutzt wird.

Falls der Tragekorb mit einem Ständer benutzt werden soll, stellen Sie sicher, dass die Abmessungen des Letzteren zu denen des Boden des Tragekorbes passen (36 cm W x 76 cm L).

Nutzen Sie den Tragekorb **NIEMALS**, um einen Säugling in einem motorbetriebenen Vehikel zu transportieren.

Um ernsthafte Verletzungen oder den Tod Ihres Kindes zu vermeiden, nutzen Sie diesen Tragekorbs niemals als Bett in einem Auto.

Die Benutzung der Tragekorb-Abdeckung wird für zusätzliche Sicherheit Ihres Kindes empfohlen.

⚠ ACHTUNG UNACHTSAMKEIT VERURSACHT FEUER

Beachten Sie die Gefahr von offenem Feuer und anderen starken Hitzequellen, wie zum Beispiel elektrischen Heizstrahlern, Gasfeuern usw. in der Nähe des Tragekorbes.

Hergestellt unter Beachtung von: EN 1888-1, EN 1466

Hergestellt unter Beachtung von: BS EN 1888-1, BS EN 1466

▲ IMPORTANT

CONSERVEZ CES INSTRUCTIONS POUR RÉFÉRENCE ULTÉRIEURE. LISEZ TOUJOURS LES INSTRUCTIONS ATTENTIVEMENT AVANT UTILISATION. NE PAS SUIVRE LES INSTRUCTIONS PEUT AFFECTER LA SÉCURITÉ DE VOTRE ENFANT.

▲ AVERTISSEMENT

LA SÉCURITÉ DE VOTRE ENFANT EST VOTRE RESPONSABILITÉ.

Ce produit ne convient qu'à un enfant ne pouvant pas s'asseoir seul, ne pouvant pas se tourner et ne pouvant pas se relever sur les mains et les genoux.

Poids maximal de l'enfant: 9 kg.

Ne **PAS** utiliser si une pièce de la nacelle est cassée, tordue ou manquante.

Ne **PAS** laisser d'enfants jouer sans surveillance à proximité de la nacelle.

N'utilisez pas d'accessoires autres que ceux approuvés par UPPAbaby.

N'utilisez que les pièces de remplacement fournies ou approuvées par UPPAbaby.

N'apportez **PAS** de modifications au produit avec des pièces non fournies par le fabricant, car ceci pourrait provoquer une instabilité ou des dommages structurels que la garantie ne couvre pas.

Un « clic » audible doit se produire pour déterminer que chaque verrou est dans la position correcte. Pour vous assurer que les verrous sont correctement enclenchés, vérifiez qu'il est impossible de désengager la nacelle/poignée de transport du landau sans déverrouiller le dispositif.

Vérifiez que l'indicateur de sécurité est vert pour garantir que la nacelle est installée correctement.

Vérifiez régulièrement que la poignée et le bas de la nacelle ne comportent pas de traces de dommage et d'usure.

Dans la nacelle, l'enfant ne doit jamais avoir la tête plus bas que le corps.

Pour un sommeil prolongé, assurez-vous de relever la capote et de la bloquer en position ouverte.

Ne laissez jamais votre enfant sans surveillance dans la nacelle si l'habillage pluie est installé.

En intérieur et en cas de forte température, l'habillage pluie doit être retiré pour prévenir tout risque de surchauffe ou d'étouffement.

REMARQUE: Ne pas utiliser avec les modèles UPPAbaby VISTA de 2014 ou antérieurs.

⚠ AVERTISSEMENT RISQUE D'ÉTOUFFEMENT

Un enfant peut s'étouffer dans les espaces séparant un rembourrage supplémentaire et le côté de la nacelle ou sur de la litière molle.

N'ajoutez **JAMAIS** de matelas, d'oreiller, de couette ou de rembourrage. Utilisez **UNIQUEMENT** le rembourrage fourni par le fabricant.

Sur une surface molle, la nacelle peut se retourner et étouffer l'enfant. Ne placez **JAMAIS** la nacelle sur un lit, un sofa ou autre surface molle.

Pour limiter le risque de mort subite du nourrisson, les médecins recommandent de placer l'enfant en bonne santé sur son dos pour dormir, sauf indication contraire par un médecin.

Ne **JAMAIS** laisser une partie du pare-soleil ou du sac de rangement de la nacelle recouvrir le nez ou la bouche de l'enfant.

⚠ AVERTISSEMENT RISQUE DE CHUTE

Pour prévenir les risques de chute, n'utilisez pas ce produit lorsque l'enfant commence à se lever sur les mains et les genoux ou a atteint le poids maximal recommandé par le fabricant, selon la première éventualité.

L'enfant peut faire glisser la nacelle d'un mouvement. Ne placez **JAMAIS** la nacelle à proximité du coin d'un comptoir, d'une table ou d'une surface en hauteur.

Si vous n'utilisez pas la nacelle avec la poussette, utilisez uniquement sur une surface ferme, horizontale, régulière et sèche.

Si la nacelle doit s'utiliser avec un support, vérifiez que les dimensions du support correspondent à celles de la base de la nacelle (36 cm de largeur x 76 cm de longueur).

N'utilisez **JAMAIS** la nacelle pour transporter un enfant dans un véhicule motorisé.

Pour éviter de faire courir à votre enfant tout risque de blessure grave ou de mort, n'utilisez pas cette nacelle comme lit d'auto.

L'utilisation d'une chancelière pour nacelle est recommandée pour plus de sécurité.

⚠️ AVERTISSEMENT L'IMPRUDENCE PROVOQUE DES INCENDIES

Soyez conscient des risques d'incendie en plein air ou autres sources de chaleur élevée (par exemple, feux à barres électriques, foyers à gaz, etc.) à proximité de la nacelle.

Fabriqué selon la norme : EN 1888-1, EN 1466

Fabriqué selon la norme : BS EN 1888-1, BS EN 1466

▲ BELANGRIJK

BEWAAR DE INSTRUCTIES VOOR TOEKOMSTIG GEBRUIK. LEES DE INSTRUCTIES ALTIJD ZORGVULDIG VOOR GEBRUIK. DE VEILIGHEID VAN UW KIND KAN IN GEVAAR KOMEN ALS U DE INSTRUCTIES NIET VOLGT.

▲ WAARSCHUWING

DE VEILIGHEID VAN EEN KIND IS UW VERANTWOORDELIJKHEID.

Dit product is alleen geschikt voor een kind dat niet zelfstandig kan zitten, dat niet kan omrollen en dat zichzelf niet op handen en knieën omhoog kan duwen.

Maximaal gewicht van het kind: 9 kg.

NIET gebruiken als een onderdeel van de reiswieg gebroken of gescheurd is of ontbreekt.

Laat andere kinderen **NIET** zonder toezicht spelen in de buurt van de reiswieg.

Andere accessoires dan die, die zijn goedgekeurd door UPPAbaby mogen niet worden gebruikt.

Gebruik alleen vervangende onderdelen die door UPPAbaby zijn geleverd of zijn goedgekeurd.

Breng **GEEN** wijzigingen of aanpassingen aan het product aan met onderdelen die niet door de fabrikant zijn geleverd. Hierdoor kan het product instabiel worden of beschadigingen oplopen die niet worden gedekt door de garantie.

Als de vergrendeling in de juiste stand staat, hoort u een klikgeluid. Om te garanderen dat het vergrendelingsmechanisme in de correcte stand staat, moet u controleren dat de reiswieg/draaghandvat niet van de wagen kan worden losgemaakt zonder het apparaat te ontgrendelen.

Controleer of de veiligheidsindicator groen is om er zeker van te zijn dat de reiswieg goed is bevestigd.

Controleer het handvat en de onderkant van de reiswieg regelmatig op tekenen van schade en slijtage.

Het hoofd van het kind in de reiswieg mag zich nooit in een lagere positie bevinden dan zijn/haar lichaam.

Zorg ervoor, wanneer uw kind voor langere tijd slaapt, dat de kap in de rechtopstaande open positie staat en is vergrendeld.

Kinderen mogen nooit alleen worden gelaten in de reiswieg terwijl de regenhoes is bevestigd.

De regenhoes moet worden verwijderd wanneer het product binnenshuis is en bij warm weer om oververhitting en/of verstikking van het kind te voorkomen.

OPMERKING: Niet bedoeld voor gebruik met UPPAbaby VISTA modellen van 2014 of eerder.

⚠ WAARSCHUWING VERSTIKKINGSGEVAAR

Baby's kunnen stikken in openingen tussen een extra matje/kussen en de zijkant van de reiswieg of in zacht beddengoed.

Plaats **NOOIT** een extra matras, kussen, dekentje of opvulling in het product. Gebruik **ALLEEN** het kussen dat door de fabrikant is meegeleverd.

Een reiswieg voor baby's kan omrollen op zachte oppervlakken en het kind verstikken. Plaats de reiswieg **NOOIT** op een bed, op de bank of op andere zachte oppervlakken.

Om het risico op wiegendood te verlagen, raden kinderartsen aan om gezonde baby's op hun rug te leggen om te slapen. Volg dit advies, tenzij een arts iets anders adviseert.

VOORKOM dat delen van het zonnescherm of van de opbergtas van de reiswieg, de neus of mond van een kind bedekken.

⚠ WAARSCHUWING VALGEVAAR

Om vallen te voorkomen mag u dit product niet gebruiken wanneer het kind in staat is om zichzelf omhoog te duwen op handen en knieën, of wanneer uw kind et aanbevolen maximumgewicht van de fabrikant heeft bereikt (als dat eerder is).

De bewegingen van het kind kan de reiswieg doen verschuiven. Plaats de reiswieg **NOOIT** in de buurt van randen of op een aanrecht, op tafels of op andere verhoogde oppervlakken.

Gebruik het product alleen op een stevige, vlakke, droge, horizontale ondergrond wanneer het niet in gebruik is met de wandelwagen.

Als de reiswieg gebruikt moet worden met een standaard, controleer dan of de afmetingen van de standaard overeenkomen met die van de onderkant van de reiswieg (36 cm breed x 76 cm lang).

Gebruik de reiswieg **NOOIT** als een manier om een baby te vervoeren in een motorvoertuig.

Gebruik deze reiswieg niet als een bedje voor in de auto, om ernstig letsel en/of de dood van uw kindje te voorkomen.

Het is aanbevolen om de voetenzak van de reiswieg te gebruiken voor extra veiligheid van uw kind.

⚠ WAARSCHUWING ONVOORZICHTIGHEID VEROORZAAKT BRAND

Wees u bewust van de risico's van open vuur en andere sterke warmtebronnen, zoals elektrische gloeisprialen, gasovens enz. in de buurt van de reishieg.

Gefabriceerd in overeenstemming met: EN 1888-1, EN 1466

Gefabriceerd in overeenstemming met: BS EN 1888-1, BS EN 1466

⚠️ IMPORTANTE

GUARDE ESTAS INSTRUÇÕES PARA CONSULTA FUTURA. SEMPRE LEIA CUIDADOSAMENTE AS INSTRUÇÕES ANTES DE USAR. A SEGURANÇA DA CRIANÇA PODE SER AFETADA SE VOCÊ NÃO SEGUI-LAS.

⚠️ AVISO

A SEGURANÇA DA CRIANÇA É SUA RESPONSABILIDADE.

Este produto é adequado apenas para uma criança que não pode sentar-se sem ajuda e não pode empurrar-se sobre suas mãos e joelhos.

Peso máximo da criança: 9 kg.

NÃO use se qualquer peça do berço móvel estiver quebrada, deformada ou ausente.

NÃO deixe outras crianças brincarem sem supervisão junto ao berço móvel.

Quando a trava encaixa na posição correta ela faz um som de “clique”. Para garantir que o engate está correto, verifique se o berço móvel/guidão não desencaixa da base sem desbloquear o dispositivo.

Confirme se o indicador de segurança está verde para garantir que o berço móvel está instalado corretamente.

Verifique periodicamente se a alça e o fundo do berço móvel apresentam sinais de danos ou desgaste.

A cabeça da criança no berço móvel nunca deve estar mais baixa que o corpo.

Para um sono tranquilo, a capota deve estar levantada e travada na posição vertical.

As crianças não devem ficar sem supervisão no berço móvel quando a capa de chuva estiver instalada.

A capa de chuva deve ser removida do carrinho quando estiver dentro de casa e quando o clima estiver quente para evitar superaquecimento e possível risco de sufocação.

NOTA: Não se destina ao uso com modelos UPPAbaby VISTA de 2014 ou anteriores.

⚠️ AVISO RISCO DE SUFOCAMENTO

Uma criança pode sufocar nas dobras entre uma almofada extra e a lateral do berço móvel ou em uma manta ou capa de colchão macia.

NUNCA use uma manta, travesseiro, bebê conforto nem almofada. Use **SOMENTE** a almofada fornecida pelo fabricante.

O berço móvel pode rolar sobre superfícies macias e sufocar uma criança.

NUNCA coloque o berço móvel em uma cama, sofá ou outras superfícies macias.

Para reduzir o risco da síndrome da morte súbita infantil os pediatras recomendam que crianças saudáveis sejam deitadas de costas para dormir, exceto se houver outra indicação médica.

NÃO deixe nenhuma parte do para-sol nem da bolsa de armazenamento do berço móvel obrir a boca ou nariz da criança.

⚠ AVISO PERIGO DE QUEDA

Para impedir quedas, não use mais esse produto quando a criança começar a se empurrar pelas mãos e joelhos nem quando crescer acima do peso ou altura máxima indicados pelo fabricante, o que ocorrer primeiro.

Essa movimentação da criança pode fazer o berço móvel escorregar.

NUNCA coloque o berço móvel perto da beirada de mesas, balcões ou outra superfície elevada.

Use somente uma superfície horizontal, firme, nivelada e seca quando estiver fora da cadeira dobrável.

Para usar o berço móvel em um suporte, o suporte deve ter as dimensões da base do berço móvel (36 cm de largura x 76 cm de comprimento).

NUNCA use o berço móvel para levar uma criança em um veículo a motor.

Para evitar ferimentos sérios ou morte da criança não use o berço móvel como uma cama no carro.

Recomenda-se usar a proteção dos pés para mais segurança da criança.

⚠ AVISO CUIDADO COM INCÊNDIO

Cuidado com o risco de fogo exposto ou outras fontes de muito calor como aquecedores elétricos ou a gás, churrasqueiras etc. próximos ao berço móvel.

Fabricado de acordo com: EN 1888-1, EN 1466

Fabricado de acordo com: BS EN 1888-1, BS EN 1466

⚠️VIKTIGT

SPARA INSTRUKTIONERNA FÖR FRAMTIDA REFERENS. LÄS ALLTID INSTRUKTIONERNA NOGGRANT FÖRE ANVÄNDNING. BARNETS SÄKERHET KAN PÅVERKAS OM DU INTE FÖLJER DEM.

⚠️VARNING

BARNETS SÄKERHET ÄR DITT ANSVAR.

Den här produkten är lämplig endast för barn som inte kan sitta upp utan hjälp och som inte kan resa sig på händer och knän.

Barnets maxvikt: 9 kg.

Använd **ALDRIG** om någon del av liggdelen är trasig, sönderriven eller saknas.

Låt **ALDRIG** andra barn leka utan uppsikt i närheten av liggdelen.

Använd aldrig andra tillbehör och reservdelar än de som har godkänts av UPPAbaby.

Använd endast utbytesdelar som kommer från eller har godkänts av UPPAbaby.

Gör **ALDRIG** några ändringar eller modifieringar av produkten med delar som inte kommer från tillverkaren, eftersom det kan orsaka instabilitet eller strukturella skador som inte täcks av garantin.

Ett "klick" måste höras för att varje lås ska vara i rätt läge. Säkerställ korrekt låsning genom att kontrollera att liggdelen/bärhandtaget inte kan lossna från vagnen utan att du låser upp anordningen.

Kontrollera att säkerhetsindikatorn är grön för att säkerställa att liggdelen är rätt monterad.

Kontrollera sulkyns handtag och undersida regelbundet efter tecken på skador eller slitage.

Barnets huvud ska aldrig vara lägre än kroppen i liggdelen.

Se till att suffletten är uppfälld och låst i upprätt läge under längre perioder av sömn.

Barnet ska inte lämnas utan uppsikt i liggdelen när regnskyddet är på.

Regnskyddet måste tas av inomhus och i varmt väder för att förhindra överhettning och kvävningrisk.

OBS! Ej avsedd för användning med UPPAbaby VISTA-modeller från 2014 eller tidigare.

⚠ VARNING K VÄVNINGSRISK

Barnet kan kvävas i mellanrummet mellan en extra dyna och sidan av liggdelen eller på mjuka sängkläder.

Lägg **ALDRIG** i extra madrasser, kuddar eller vadderade täcken eller underlag. Använd **ENDAST** dynan från tillverkaren.

Liggdelen kan välta på mjuka ytor och kväva barnet. Placera **ALDRIG** liggdelen på sängar, soffor eller andra mjuka ytor.

För att minska risken för plötslig spädbarnsdöd rekommenderar barnläkare att friska spädbarn sover på rygg, om inte en läkare har sagt något annat.

Låt **INTE** någon del av solskyddet eller liggdelens förvaringsväska täcka över barnets näsa eller mun.

⚠ VARNING FALLRISK

Förhindra fall genom att inte använda den här produkten när spädbarnet börjar resa sig på händer och knän eller har nått tillverkarens rekommenderade maxvikt, beroende på vilket som inträffar först.

Barnets rörelser kan göra att liggdelen glider. Placera **ALDRIG** liggdelen nära kanten på köksbänkar, bord eller andra upphöjda ytor.

Använd bara en stadig, vågrät, jämn och torr yta när du inte använder liggdelen med sulkyn.

Om liggdelen ska användas med ett stativ måste du kontrollera att stativets mått motsvarar liggdelens bas (36 (B) × 76 (L) cm).

Använd **ALDRIG** liggdelen för att transportera ett spädbarn i en bil.

Undvik allvarliga skador eller dödsfall genom att inte använda liggdelen som ett babyskydd i bilen.

Locket rekommenderas för extra säkerhet för barnet.

⚠ VARNING OVARSAMHET KAN ORSAKA BRAND

Var medveten om risken med öppen eld och andra starka värmekällor, till exempel elektriska eldstäder och gaskaminer, i närheten av liggdelen.

Tillverkad för att uppfylla: EN 1888-1, EN 1466

Tillverkad för att uppfylla: BS EN 1888-1, BS EN 1466

WAŻNE

ZACHOWAJ INSTRUKCJE DO WYKORZYSTANIA W PRZYSZŁOŚCI. PRZED UŻYCIEM ZAWSZE UWAŻNIE PRZECZYTAJ INSTRUKCJĘ. NIEPRZESTRZEGANIE ICH MOŻE MIEĆ WPŁYW NA BEZPIECZEŃSTWO DZIECKA

OSTRZEŻENIE

ODPOWIEDZIALNOŚĆ ZA BEZPIECZEŃSTWO DZIECKA SPOCZYWA NA TOBIE.

Ten produkt jest odpowiedni wyłącznie dla dziecka, które nie siada samodzielnie, nie umie się turlać ani podnosić na rękach ani kolanach.

Maksymalna waga dziecka: 9 kg.

NIE używaj gondoli, jeżeli dowolna z jej części jest uszkodzona, rozdarta lub niedostępna.

NIE pozwalaj innym dzieciom bawić się w pobliżu gondoli bez nadzoru.

NIE należy używać akcesoriów innych niż zatwierdzone przez UPPAbaby.

Stosuj wyłącznie części zamienne zapewniane lub zatwierdzone przez UPPAbaby.

NIE dokonuj żadnych przeróbek ani modyfikacji wózka przy użyciu części niedostarczonych przez producenta, ponieważ może to spowodować niestabilność lub uszkodzenie konstrukcji nieobjęte gwarancją.

Aby mieć pewność, że każda blokada jest we właściwym położeniu, musisz usłyszeć wyraźne kliknięcie. Aby sprawdzić, czy blokady są prawidłowo zamontowane, upewnij się, że nie można odłączyć gondoli/nosidła od wózka bez odblokowania urządzenia.

Sprawdź, czy wskaźnik bezpieczeństwa jest zielony, aby się upewnić, że gondola jest prawidłowo zamontowana.

Należy regularnie sprawdzać, czy na uchwycie i dnie wózka nie ma śladów świadczących o zniszczeniu lub zużyciu sprzętu.

W gondoli głowa dziecka nigdy nie powinna znajdować się niżej niż jego tułów.

Podczas dłuższego snu upewnij się, że budka jest uniesiona i zablokowana w pozycji otwartej pionowej.

Dzieci nie można pozostawiać bez opieki w gondoli z założoną osłoną przeciwdeszczową.

W pomieszczeniu i w upalne dni należy zdjąć osłonę przeciwdeszczową, aby zapobiec przegrzaniu i ewentualnemu ryzyku uduszenia dziecka.

UWAGA: Nie jest przeznaczony do użytku z modelami UPPAbaby VISTA z 2014 roku lub wcześniejszymi.

⚠️ OSTRZEŻENIE RYZYKO UDUSZENIA

Niemowlęta mogą udusić się w szczelinach między dodatkową podkładką a bokiem gondoli lub na miękkiej pościeli.

NIE WOLNO wkładać do gondoli własnego materaca, własnej poduszki, kołderki ani wkładki. Należy używać **WYŁĄCZNIE** wkładki pochodzącej od producenta.

Gondola może przewracać się na miękkich powierzchniach i spowodować uduszenie dziecka. **NIE WOLNO** kłaść gondoli na łóżku, kanapie ani na innych miękkich powierzchniach.

W celu zmniejszenia ryzyka wystąpienia śmierci łóżeczkowej, pediatrzy zalecają, by zdrowe niemowlęta spały na plecach, chyba że lekarz zaleci inaczej.

NALEŻY SIĘ UPEWNIĆ, że żadna część osłony przeciwsłonecznej lub torby do przechowywania gondoli nie zakrywa nosa ani ust dziecka.

⚠️ OSTRZEŻENIE RYZYKO UPADKU

Aby zapobiec upadkom, nie używaj tego produktu, gdy niemowlę zaczyna podnosić się na rękach i kolanach lub osiągnęło zalecaną przez producenta maksymalną masę ciała, w zależności od tego, co nastąpi wcześniej.

Ruch dziecka może spowodować zsuniecie się gondoli. **NIGDY** nie wolno stawiać gondoli w pobliżu krawędzi blatów, stołów lub innych powierzchni na wysokości.

Gdy gondola nie jest używana z wózkiem, można ją stawiać wyłącznie na twardej, poziomej i suchej powierzchni.

Jeśli gondola ma być używana ze stojakiem, należy sprawdzić, czy rozmiary stojaka odpowiadają rozmiarom bazy gondoli (36 cm szerokości i 76 cm wysokości).

NIGDY nie wolno używać gondoli do przewożenia niemowlęcia w samochodzie.

Aby uniknąć poważnych obrażeń lub śmierci dziecka, nie należy używać tej gondoli jako łóżka samochodowego.

Zaleca się stosowanie pokrowca na gondolę, aby zwiększyć bezpieczeństwo dziecka.

⚠ OSTRZEŻENIE NIEOSTROŻNOŚĆ MOŻE PROWADZIĆ DO POŻARU

Należy zwracać uwagę na zagrożenia związane z obecnością otwartego ognia i innych źródeł silnego ciepła, takich jak kominki elektryczne, kominki gazu itp. w pobliżu gondoli.

Wyprodukowano zgodnie z wymaganiami normy: EN 1888-1, EN 1466

Wyprodukowano zgodnie z wymaganiami normy: BS EN 1888-1, BS EN 1466

⚠️ ÖNEMLİ

BU TALİMATLARI İLERİDE BAŞVURMAK ÜZERE SAKLAYIN. KULLANIMDAN ÖNCE TALİMATLARI DAİMA DİKKATLE OKUYUN. BUNLARA UYMAMANIZ HALİNDE ÇOCUĞUNUZUN GÜVENLİĞİ KÖTÜ ETKİLENEBİLİR.

⚠️ UYARI

ÇOCUĞUN GÜVENLİĞİ SİZİN SORUMLULUĞUNUZDUR.

Bu ürün yalnızca yardım almadan dik oturamayan, yuvarlanamayan ya da elleri ve dizleri üzerinde kendisini yukarıya kaldıramayan çocukların kullanması için uygundur.

Maksimum çocuk ağırlığı: 9 kg.

Port bebenin herhangi bir parçası kırılmış, yırtılmış veya eksikse **ULLANMAYIN**.

Başka çocukların port bebenin etrafında yalnız oynamasına **İZİN VERMEYİN**.

UPPAbaby tarafından onaylanmış olanlar dışındaki aksesuarlar kullanılmamalıdır.

Yalnızca UPPAbaby tarafından tedarik edilen veya UPPAbaby onaylı yedek parçaları kullanın.

Dengesizlik veya garanti kapsamında olmayan yapısal hasara sebep olabileceği için üretici tarafından tedarik edilmemiş parçalarla ürün üzerinde herhangi bir tadilat veya değişiklik **YAPMAYIN**.

Yalnızca UPPAbaby tarafından tedarik edilen veya UPPAbaby onaylı yedek parçaları kullanın.

Her bir kilidin doğru pozisyonda olduğunu tespit etmek için "klik" sesi duyulmalıdır. Uygun kilitleme bağlantısından emin olmak için, port bebe/taşıma kolunun kilit açma cihazı olmaksızın çocuk arabasından ayrılmadığını kontrol edin.

Port bebenin düzgün takıldığından emin olmak için, güvenlik göstergesinin yeşil olduğunu kontrol edin.

Port bebenin kolunu ve alt kısmını hasar ve aşınma izlerine karşı düzenli olarak kontrol edin.

Port bebe içerisindeki çocuğun başı, asla çocuğun bedeninden daha aşağıda olmamalıdır.

Uzun bir uyku için, gölgeliğin kaldırılmış ve dik olarak açık konumda kilitlenmiş olduğundan emin olun.

Çocuklar yağmurluk takılı olarak port bebe içinde yalnız bırakılmamalıdır.

Aşırı ısınmayı ve olası boğulma riskini önlemek için, yağmurluk içeride ve sıcak havalarda çıkarılmalıdır.

NOT: 2014 veya önceki UPPAbaby VISTA modelleriyle kullanılmak üzere tasarlanmamıştır.

⚠ UYARI BOĞULMA TEHLİKESİ

Bebekler, ilave bir dolgu ile port bebenin yan tarafı veya yumuşak yatak arasındaki boşluklarda boğulabilir.

ASLA döşek, yastık, yorgan veya dolgu maddesi eklemeyin. **YALNIZCA** üretici tarafından sağlanan dolguyu kullanın.

Port bebe yumuşak yüzeylerde yuvarlanabilir ve çocuğu boğabilir. Port bebeyi **ASLA** yatak, kanepeler veya diğer yumuşak yüzeyler üzerine koymayın.

SIDS riskini azaltmak için Çocuk Doktorları, bir Hekim tarafından aksi tavsiye edilmedikçe, sağlıklı bebeklerin uyurken sırt üstü yatırılmasını önermektedir.

Güneş siperliğinin veya port bebe saklama çantasının hiçbir parçasının bebeğin burnunu veya ağzını kapatmasına **İZİN VERMEYİN**.

⚠ UYARI DÜŞME TEHLİKESİ

Düşmeyi engellemek için, bebeğiniz elleri ve dizleri üzerinde yukarı kalkmaya başladığında ya da üreticinin tavsiye ettiği maksimum ağırlığa ulaştığında (hangisi önce gerçekleşirse) bu ürünü kullanmayın.

Çocuğun hareketi port bebeyi kaydırabilir. Port bebeyi **ASLA** mutfak tezgahı, masa veya diğer yüksekte bulunan yüzeylerin kenarlarının yakınına koymayın.

Pusetle kullanımda olmadığında sadece sağlam, yatay, düz ve kuru bir yüzeyde kullanın.

Port bebenin bir ayaklıkla birlikte kullanılması düşünülüyorsa, ayaklık boyutlarının port bebenin tabanınıninkine uyumlu olup olmadığını kontrol edin (36 cm en x 76 cm boy).

Port bebeyi **ASLA** motorlu araçta bir bebeği bir yere götürme aracı olarak kullanmayın.

Çocuğunuzun ciddi şekilde yaralanmasına veya ölümüne engel olmak için, bu port bebeyi araba yatağı olarak kullanmayın.

Port bebe koruyucu örtüsünün kullanımı çocuğunuzun ilave güvenliği için tavsiye edilir.

⚠ UYARI DİKKATSİZLİK YANGINA SEBEP OLUR

Port bebenin yakınındaki açık alev ve elektrikli ısıtıcı, gazlı ısıtıcı vb. diğer güçlü ısı kaynakları riskinin farkında olun.

Aşağıdakilere uyum sağlamak üzere üretilmiştir: EN 1888-1, EN 1466

Aşağıdakilere uyum sağlamak üzere üretilmiştir: BS EN 1888-1, BS EN 1466

▲ ВНИМАНИЕ

СОХРАНИТЕ ЭТУ ИНСТРУКЦИЮ НА СЛУЧАЙ НЕОБХОДИМОСТИ. ПЕРЕД ИСПОЛЬЗОВАНИЕМ ИЗДЕЛИЯ ВНИМАТЕЛЬНО ИЗУЧИТЕ ИНСТРУКЦИЮ. НЕСОБЛЮЖДЕНИЕ ТРЕБОВАНИЙ, ИЗЛОЖЕННЫХ В ИНСТРУКЦИИ, МОЖЕТ ПОВЛИЯТЬ НА БЕЗОПАСНОСТЬ ВАШЕГО РЕБЕНКА.

▲ ПРЕДУПРЕЖДЕНИЕ

ВЫ ВСЕГДА НЕСЕТЕ ОТВЕТСТВЕННОСТЬ ЗА БЕЗОПАСНОСТЬ СВОЕГО РЕБЕНКА.

Это изделие предназначено только для детей, которые не могут самостоятельно сидеть, переворачиваться и вставать на четвереньки.

Максимальный вес ребенка: 9 кг.

ЗАПРЕЩЕНО пользоваться люлькой-переноской с поврежденными или отсутствующими компонентами.

НЕ ПОЗВОЛЯЙТЕ другим детям играть рядом с люлькой-переноской без присмотра.

Используйте только дополнительные принадлежности, одобренные компанией UPPAbaby.

Используйте только оригинальные запчасти или запчасти, утвержденные компанией UPPAbaby.

ЗАПРЕЩЕНО вносить изменения в конструкцию изделия и использовать неоригинальные компоненты, поскольку это может привести к потере устойчивости изделия и к возникновению конструктивных повреждений, не покрываемых гарантией.

При установке фиксаторов в закрытое положение должен быть слышен отчетливый щелчок. Убедитесь в том, что после фиксации нельзя свободно снять люльку-переноску/ее ручку с коляски.

При правильной установке люльки-переноски должен быть виден зеленый индикатор.

Регулярно осматривайте ручку и нижнюю часть люльки-переноски на предмет повреждения и износа.

Когда ребенок находится в люльке-переноске, его голова всегда должна быть расположена выше остального тела.

Во время длительного сна поднимите и зафиксируйте капор в вертикальном открытом положении.

Не оставляйте без присмотра люльку-переноску с ребенком, если на ней установлен дождевик.

Внутри помещения и в жаркую погоду дождевик необходимо снимать, в противном случае возникает опасность перегрева и удушья.

ПРИМЕЧАНИЕ: Не предназначен для использования с моделями UPPAbaby VISTA 2014 года или ранее.

▲ ПРЕДУПРЕЖДЕНИЕ ОПАСНОСТЬ УДУШЕНИЯ

Существует риск удушья новорожденных детей в зазорах между дополнительной подушкой и боковой частью люльки-переноски или в мягких подкладках.

ЗАПРЕЩЕНО использовать дополнительные матрасы, подушки, одеяла или подкладки. Используйте **ТОЛЬКО** подушку, поставляемую поставщиком.

Люлька-переноска на мягких поверхностях может перевернуться, что приведет к удушению ребенка. **ЗАПРЕЩЕНО** устанавливать люльку-переноску на кроватях, диванах или на других мягких поверхностях.

Чтобы снизить риск синдрома внезапной детской смерти педиатры рекомендуют по умолчанию укладывать всех новорожденных детей на спину во время сна.

СЛЕДИТЕ ЗА ТЕМ, ЧТОБЫ защитный козырек или сумка для хранения люльки-переноски не закрывала нос или рот ребенка.

▲ ПРЕДУПРЕЖДЕНИЕ ОПАСНОСТЬ ПАДЕНИЯ

Не используйте это изделие, если ваш ребенок уже может вставать на четвереньки, а также если вес ребенка превышает максимальный вес, рекомендуемый производителем. В противном случае ребенок может упасть.

Движения ребенка могут сдвинуть люльку-переноску. **ЗАПРЕЩЕНО** размещать люльку-переноску рядом с углами столешниц, на столах или а других возвышенностях.

Если изделие используется отдельно от прогулочной коляски, размещайте его только на сухой и устойчивой горизонтальной поверхности.

Перед установкой люльки-переноски на подставку убедитесь в том, что размеры подставки соответствуют размерам основания люльки (ширина 36 см x длина 76 см).

ЗАПРЕЩЕНО использовать люльку-переноску для перевозки новорожденных в автомобиле.

Использование люльки-переноски в качестве автомобильной люльки может стать причиной тяжелой травмы или смерти вашего ребенка.

Для максимальной безопасности ребенка рекомендуем использовать отстегивающуюся подложку.

⚠ ПРЕДУПРЕЖДЕНИЕ СОБЛЮДАЙТЕ ОСТОРОЖНОСТЬ ПРИ ОБРАЩЕНИИ С ОГНЕМ

Не используйте открытое пламя и не пользуйтесь нагревательными приборами (например, трубчатыми электронагревателями, газовыми горелками и т. п.) рядом с люлькой переноской.

Производитель гарантирует соответствие изделия следующим нормативам: EN 1888-1, EN 1466

Производитель гарантирует соответствие изделия следующим нормативам: BS EN 1888-1, BS EN 1466

⚠️ تحذير خطر الاختناق

قد يصاب الرضع بالاختناق في الفجوات بين الوسادة الإضافية وجانب سرير الوليد المحمول أو على الحشية اللينة.

- لا تقم أبدًا بإضافة حشية أو وسادة أو لحاف. يجب استخدام الوسادة التي توفرها جهة التصنيع فقط.
- يمكن أن يتدحرج حامل سرير الوليد المحمول على الأسطح اللينة ويتسبب في اختناق الطفل. لا تقم أبدًا بوضع سرير الوليد المحمول على أسرّة، أو أرائك، أو أي أسطح أخرى لينة.
- ولتقليل مخاطر متلازمة موت الرضع الفجائي، يوصى أطباء الأطفال وضع الرضع على ظهرهم للنوم، إلا في حالة طلب طبيب آخر عدم القيام بذلك.
- لا تسمح لأي جزء من الشمسية أو حقيبة تخزين سرير الوليد المحمول بتغطية أنف الطفل أو فمه.

⚠️ تحذير الخطر التام

- لمنع السقوط، لا تستخدم هذا المنتج عند بدء الطفل في دفع نفسه لأعلى على يديه أو ركبتيه أو وصوله إلى طول القامة الأقصى الذي توصي به الشركة الصانعة، 9 كجم، أيهما يحل أولاً.
- يمكن أن تتسبب حركة الطفل في انزلاق سرير الوليد المحمول. لا تقم أبدًا بوضع سرير الوليد المحمول على طاولات، أو منضدات، أو أي أسطح أخرى عالية.
- يجب الاستخدام على سطح جاف وثابت وأفقي ومستو فقط عند عدم استخدام كرسي عربة الأطفال.
- في حالة عدم قصد استخدام كرسي عربة الأطفال مع حامل، يجب التحقق أن أبعاد الحامل مطابقة للأبعاد الموجودة في قاعدة سرير الوليد المحمول (عرض 36 سم x ارتفاع 76 سم).
- لا تستخدم سرير الوليد المحمول أبدًا كوسيلة لنقل الرضيع في عربة متحركة.
- ولتجنب حدوث إصابة خطيرة للطفل أو وفاته، لا تستخدم سرير الوليد المحمول هذا على سرير يوضع في السيارة.
- يوصى باستخدام غطاء سرير الوليد المحمول لزيادة أمان الطفل.

⚠️ تحذير الإهمال يسبب حدوث حريق

انتبه إلى خطورة حدوث حريق مفتوح ومصادر السخونة الشديدة الأخرى، مثل الأفران الكهربائية، وأفران الغاز وما إلى ذلك، بالقرب من سرير الوليد المحمول.

تم التصنيع مع الامتثال لمواصفات: EN 1888-1, EN 1466
تم التصنيع مع الامتثال لمواصفات: BS EN 1888-1, BS EN 1466

هام

يجب الاحتفاظ بالتعليمات للرجوع إليها في المستقبل. يجب دائماً قراءة التعليمات بعناية. قبل الاستخدام. فقد تتأثر سلامة الطفل في حالة عدم اتباع تلك التعليمات.

تحذير

تعتبر سلامة الطفل مسؤوليتك الخاصة.

هذا المنتج مناسب فقط للطفل الذي لا يستطيع الجلوس بلا مساعدة، والتدحرج، ودفع نفسه لأعلى على يديه وركبته.

أقصى وزن للطفل: 9 كجم.

لا تستخدم أي جزء في سرير الوليد المحمول إذا كان مكسوراً أو تالفاً أو غير موجود.

لا تترك أطفالاً آخرين يلعبون بالقرب من سرير الوليد المحمول.

ويجب عدم استخدام ملحقات خلاف المعتمدة بواسطة شركة UPPAbaby.

يجب استخدام قطع الغيار التي توفرها UPPAbaby أو المعتمدة من قبلها فقط عند الاستبدال.

لا تقم بإجراء تعديلات أو تغييرات على المنتج باستخدام أجزاء غير موردة من الشركة الصانعة، لأن ذلك يمكن أن يتسبب في عدم الاستقرار أو حدوث تلف هيكلي لا يعطيه الضمان.

يجب سماع صوت "نكة" للتأكد من تواجد كل قفل في الوضع الصحيح. وللتأكد من تعشيق الأقفال بشكل صحيح، تحقق للتأكد أنه لا يمكن انفصال سرير الوليد المحمول/ مقبض الحمل عن عربة الرضع بدون فتح الجهاز.

تحقق أن مؤشر السلامة باللون الأخضر لضمان تركيب سرير الوليد المحمول بشكل صحيح.

تحقق من المقبض والجزء السفلي من سرير الوليد المحمول بشكل دوري بحثاً عن علامات للتلف والبلبلي.

يجب ألا يكون رأس الطفل في سرير الوليد المحمول أقل من جسمه دائماً.

وللنوم لوقت ممتد، تأكد من رفع المظلة وقفلها في موضع الفتح الرأسي.

يجب عدم ترك الأطفال دون مراقبة عند وضعهم في سرير الوليد المحمول مع فرد غطاء الوقاية من المطر.

يجب فك غطاء الوقاية من المطر عند التواجد في الأماكن الداخلية وفي الأجواء الحارة لمنع الزيادة المفرطة للحرارة والخطورة المحتملة للاختناق.

ملاحظة: غير مخصص للاستخدام مع طرازات UPPAbaby VISTA من عام 2014 أو ما قبله.

מרכבי שכיבה של פעוטות עלולים להתהפך על גבי משטחים רכים ולהביא לחנק של הפעוט. **לעולם אין** להניח מרכבי שכיבה על מיטות, ספות או משטחים רכים אחרים.

על מנת להפחית את הסיכון של מוות בעריסה, רופאי ילדים ממליצים להציב תינוקות בריאים לישון על גבם, אלא אם ניתנה הוראה אחרת של הרופא המטפל.

אין לאפשר לחלק כלשהו של גגון השמש או של תיק האחסון של מרכב השכיבה לכסות את האף או הפה.

⚠ אזהרה סכנת נפילה

על מנת למנוע נפילות, אין להשתמש במוצר זה לאחר שהתינוק מתחיל לדחוף את עצמו על הידיים והברכיים או כאשר התינוק הגיע למשקל המרבי המומלץ על ידי היצרן, המוקדם השניים.

תנועות התינוק עלולות להביא לגלישת מרכב השכיבה. לעולם אין להציב מרכב שכיבה בקרבת קצוות משטחים, שולחנות או משטחים מוגבהים אחרים.

כאשר לא בשימוש עם הטיולון, יש להשתמש רק על גבי משטח יציב, מאוזן, מפולס ויבש.

אם הטיולון מיועד לשימוש עם מעמד, יש לבדוק שמידותיו של הטיולון מתאימות למידות של בסיס מרכב השכיבה (רוחב של 36 ס"מ וגובה של 76 ס"מ).

לעולם אין להשתמש במרכב השכיבה כאמצעי להסעת פעוט בבלי רכב.

על מנת למנוע גרימת פציעות קשות או מוות לפעוט שלך, אין להשתמש במרכב שכיבה זה כמי-טת תינוק במכונית.

מומלץ להשתמש בכיסוי הבטיחות של מרכב שכיבה על מנת להוסיף בטיחות לפעוט שלך.

⚠ אזהרה חוסר זהירות גורמת לדליקות

יש להיות מודעים לסכנת אש גלויה ומקורות אחרים של חום משמעותי כגון דליקות של לוחות חשמל, גז וכד' בקרבת מרכב שכיבה.

EN 1888-1, EN 1466: ימיצר בתאימות ל:

BS EN 1888-1, BS EN 1466: ימיצר בתאימות ל:

מיובא ע"י: פופון בע"מ, החרושת 19, מרכז קידר, רעננה | מיוצר בסין.

טלפון: 03-642253 | info@poupon.co.il

חשוב

יש לשמור על ההנחיות לשימוש עתידי. יש לקרוא את ההנחיות בתשומת לב לפני השימוש. בטיחות ילדך עשויה להיות מושפעת באופן שלילי אם לא תפעל/י לפי ההנחיות.

אזהרה

בטיחותו של ילדך בידך.

מוצר זה מותאם רק לילד שאינו יכול לשבת בכוחות עצמו, להתהפך בכוחות עצמו או לדחוף את עצמו כלפי מעלה על ידיו וברכיו.

משקל הילד המרבי: 9 ק"ג.

אסור לשימוש אם חלק כשלהו ממרכב השכיבה שבור, קרוע או חסר.

אסור לאפשר לילדים אחרים לשחק ללא השגחה ליד מרכב שכיבה.

אין להשתמש באביזרים שאינם מאושרים על ידי UPPAbaby.

יש להשתמש רק בחלפים שסופקו על ידי UPPAbaby או שאושרו על ידם.

אסור להכניס למוצר שינויים או התאמות כלשהם באמצעות חלקים שלא סופקו על ידי היצרן, מכיוון שאלה עלולים לגרום לחוסר יציבות או לנזק למבנה, שלא יהיו מכוסים על ידי אחריות כלשהי.

קליק ברור יישמע על מנת לאפשר לך לקבוע שכל נעילה נמצאת במקום הנכון. על מנת לוודא חיבור נעול כהלכה, יש לבדוק שמרכב השכיבה/ידיית הנשיאה אינה יכולה להתנתק מהעריסה בלי לפתוח את נעילת המכשיר.

על מנת להבטיח שמרכב השכיבה מותקן כהלכה, יש לבדוק שסמן הבטיחות ירוק.

יש לבדוק את הידיית והתחתית של מרכב השכיבה באופן קבוע לכל סימן של נזק או בלייה.

אסור להנמיך את ראש הילד כשהוא שכוב במרכב השכיבה אל מתחת לגובה שאר הגוף.

לשינה ממושכת, ודאו שהגגון מורם ונעול במצב מורם ופתוח.

אין להשאיר ילדים ללא השגחה במרכב השכיבה כשמגן הגשם מותקן.

יש להסיר את מגן הגשם כאשר נכנסים למבנה ובמזג אוויר חם על מנת למנוע התחממות-יתר וסכנה אפשרית לחנק.

הערה: לא מיועד לשימוש עם דגמי UPPABABY VISTA מ-2014 ואילך.

אזהרה סכנת חנק

פעוטות עלולים להיחנק במרווחים שבין הריפוד הנוסף לצידו של מרכב השכיבה או בריפוד המיטה הרך.

לעולם אין להוסיף מזרן, כרית, שמיכה או ריפוד. יש להשתמש אך ורק במשטח שסופק על ידי היצרן.

▲ Keep these instructions for future reference.

▲ WARNING

FAILURE TO FOLLOW THESE WARNINGS AND INSTRUCTIONS COULD RESULT IN SERIOUS INJURY OR DEATH.

NEVER use this carrier as a means to transport an infant in a motor vehicle.

Use of bassinet boot cover is recommended for added safety of your child.

The bassinet should only be placed on a low, dry, firm horizontal surface when not in use with stroller or bassinet stand.

NEVER place carrier on beds, sofas or other soft surfaces.

DO NOT permit other children to play unsupervised next to the bassinet.

Open flames and other sources of heat, such as electric heaters, gas ovens, etc. in the immediate vicinity of the bassinet are dangerous and should be avoided.

DO NOT use the bassinet if it is damaged or broken.

NOTE: Not intended for use with UPPAbaby VISTA models from 2014 or earlier.

▲ FALL HAZARD

To help prevent falls, **DO NOT** use this product when the infant begins to push up on hands and knees or has reached manufacturer's recommended maximum weight 9 kg, whichever comes first.

Always check that the bassinet is securely locked on the stroller by pulling upwards on the bassinet bed, before placing the child in the bassinet.

Child's activity can move carrier. **NEVER** place carrier on counter tops, tables, or any other elevated surface.

This bassinet is intended to be used with one child only.

Bassinet is suitable for infants from birth to 6 months, or until child is 9 kg, whichever comes first.

Audible "click" must be heard in order to determine that each lock is in the proper position.

To ensure proper locking engagement, check to see that the bassinet handle cannot be disengaged from the stroller without unlocking the device.

Check that safety indicator is green to ensure bassinet is properly installed.

⚠️ WARNING SUFFOCATION HAZARD

Infants have suffocated in gaps between extra padding and side of bassinet, and on soft bedding.

Use only the pad provided by manufacturer. **NEVER** add a pillow, comforter, or another mattress for padding.

If a sheet is used with the pad, use only the one provided by the bassinet manufacturer or one specifically designed to fit the dimension of the bassinet.

To reduce the risk of SIDS, pediatricians recommend healthy infants be placed on their backs to sleep, unless otherwise advised by your physician.

DO NOT allow any part of the sunshade or bassinet storage bag to cover a child's nose or mouth.

For extended sleep, make sure canopy is raised and locked in upright open position.

Infant carrier can roll over on soft surfaces and suffocate child. **NEVER** place carrier on beds.

NEVER allow child to sleep in bassinet unattended on sofas, or other soft surfaces.

Bassinet must be removed to fold stroller.

⚠️ STRANGULATION WARNING

Strings can cause strangulation! **DO NOT** place items with a string around a child's neck, such as hood strings or pacifier cords. **DO NOT** suspend strings over a bassinet or cradle or attach strings to toys.

Manufactured to comply with: China GB 14748-2006.

▲警告

使用前请仔细阅读本说明书并且妥善保存供以后参照。
不按照警语及使用说明操作推车可能导致严重伤害甚至死亡！

不能在机动车上使用睡篮。

使用睡篮时建议同时使用脚罩以增加婴儿安全性。

当不在推车或睡篮架上使用睡篮时，请将睡篮放置在水平，干燥和稳固的地面。

请勿将睡篮放置在床上，沙发或其它柔软表面。

请勿让无人看管的儿童在睡篮旁边玩耍。

请避免在睡篮附近使用明火或其它热源，如电加热器或煤气炉。

睡篮破损时请停止使用。

注意：不适用于 2014 年或更早版本的 UPPAbaby VISTA 型号。

▲跌落危险

为避免跌落，当婴儿开始借助双手或双膝爬起，
或婴儿体重达到制造商建议最大重量9公斤时请停止使用睡篮。以先到者为准

将婴儿放入睡篮前请务必确认睡篮已正确卡合在推车上。

婴儿的活动可能使睡篮发生移动。请勿将睡篮放置在柜台，
桌面或其它任一较高位置。

本睡篮仅供一个孩子使用。

睡篮适用于0到6个月，体重不超过9公斤的儿童，
以先达到者为准。

各部位正确卡合后应能听到清晰的“咔嗒”声。睡篮正确卡合在推车判定方法：不释放提把锁，如果睡篮提把不会从推车架架上脱离，
则可判定睡篮已正确卡合在了车架上。

检查安全指示器是否呈绿色，确保睡篮已正确安装。

收合推车前请将睡篮取下。

▲警告窒息危险

偶有发生婴儿在附加睡垫与睡篮侧面之间的间隙以及过软的睡垫上窒息的案例。

请只使用制造商提供的睡垫。请勿添加枕头、被子或其他睡垫。

如睡篮垫子配有垫子外罩, 请仅使用制造商提供的外罩, 或使用专门针对该垫子设计的尺寸符合的外罩。

为减少SIDS(婴儿猝死综合症)风险, 儿科医师建议健康的婴儿应仰卧睡眠, 除非您的医师有其它的建议。

为防止窒息, 请勿让睡篮存储袋的任何部分遮住儿童的鼻子或嘴巴。

为了延长睡眠时间, 确保升起顶篷, 且锁定以保证处于竖直打开状态。

睡篮可能会在柔软表面滚动引发窒息。请勿将睡篮置于床, 沙发或者其它柔软表面上。

不可在无人看护的情况下让孩子在本产品中入睡。

▲勒颈危险

绳索可能导致勒颈危害! 请勿将带绳索的物品放置在婴儿颈脖周围, 如头绳, 安抚奶嘴挂绳等。请勿在睡篮或摇篮上吊挂绳索, 或带绳索的玩具。

本产品型号: 0920-BAS-CN

按照以下标准设计和制造:

GB 14748-2006 儿童推车安全要求

中国 CCC 认证

CLEANING

Clean frame/chassis with a damp cloth and a mild detergent; dry thoroughly. DO NOT use abrasives.

To extend the life of your product's fabric, keep it clean and do not leave it in direct sunlight for long periods of time.

DO NOT fold or store the product if it is damp or wet, nor store in a damp environment.

OUTER BASSINET

Spot clean or hand wash in cold water with mild detergent. DO NOT bleach.

Dry flat and away from direct sunlight before re-use or storage.

DO NOT iron or dry clean.

INNER BASSINET

Machine wash cold gentle cycle with mild detergent. DO NOT bleach.

Dry flat and away from direct sunlight before re-use or storage.

DO NOT iron or dry clean.

MAINTENANCE AND REPAIR

This product requires user inspection and maintenance regularly. Check all connecting hardware (rivets, screws, etc.) for tightness and security. Inspect all brakes, tires, seat harnesses and locks for correct operation. Seek prompt repairs or replacements as needed and never continue using the product if it is structurally not safe.

Only UPPAbaby replacement parts should be used. It may be unsafe to use parts supplied by another manufacturer.

Contact Customer Service with any repair questions.

WARRANTY

EXTENDED WARRANTY

UPPAbaby offers an Extended Warranty of one year for a total of three years on all strollers, playards and select accessories (Bassinet, RumbleSeat, Changing Station and PiggyBack).

To receive the additional one-year warranty, customers must register their product within three months of purchase and provide a valid receipt from an authorized retailer. It's our way of saying thank you!

Register your product at uppababy.com/register.

LIMITED WARRANTY

Your UPPAbaby product is warranted to be free from manufacturing defects for a period of 2 years from the date of purchase under normal use and in compliance with the operating instructions.

This warranty is not transferable and extends only to the original retail purchaser and is only valid when supplied with proof of purchase from an authorized retailer. Proof of purchase must be retained for this warranty.

The warranty is valid only in the original country of purchase. This warranty is subject to the conditions set forth by country in which the items were purchased. Conditions may vary. UPPAbaby will not ship replacement or repair parts outside the country of purchase.

UPPAbaby will provide replacement parts or conduct repairs as determined fitting by the company. UPPAbaby reserves the right to exchange item with a replacement part. Some parts may be replaced with newer model parts as the item is improved over time.

This warranty does not cover:

- Defects caused by misuse or poor maintenance. (Please refer to the product instruction booklet for guidance on item use and maintenance).
- Damage caused by improper installation of UPPAbaby parts and/or accessories. (Please refer to product instruction booklet for guidance on item assembly and use).
- Damage caused by corrosion mold or rust due to poor maintenance, service or storage.
- Damage resulting from normal wear and tear.
- Damage or degradation caused by the sun, sweat, detergents, damp storage conditions or frequent washings.
- Repairs or modifications carried out by a third party.
- Product purchased from an unauthorized retailer. (Approved retailers are listed on our website uppababy.com).
- Second owners and users other than the registrant.
- Damage resulting from airline shipping and handling.
- Products Involved in an accident.

UPPAbaby reserves the right to determine if warranty terms and conditions have been met.

For warranty service: In the US and CA please contact UPPAbaby Customer Experience (844) 823-3132 and visit uppababy.com/contact to send an email. Within the US, warranty conditions may differ from state to state.

Outside of the US and CA please contact your local distributor. Distributor information can be found at uppababy.com/global-distributors.

LIMPIEZA

Limpie el chasis con un trapo húmedo y un detergente suave; séquelo bien. NO use abrasivos.

Para ampliar la vida de la tela de su producto, manténgala limpia y no la deje en el sol directo durante largos periodos de tiempo.

NO pliegue ni guarde el producto si está húmedo o mojado, ni lo almacene en un entorno con humedad

EXTERIOR DEL CAPAZO

Limpie las manchas o lave en agua fría con detergente suave. NO use lejía.

Seque en una superficie plana alejada de la exposición solar directa antes de volver a usar o almacenar el producto.

No lo planche ni lo lave en seco.

INTERIOR DEL CAPAZO

Lave a máquina con agua fría en el ciclo delicado con detergente suave. No use lejía.

Seque en una superficie plana alejada de la exposición solar directa antes de volver a usar o almacenar el producto.

No lo planche ni lo lave en seco.

MANTENIMIENTO Y REPARACIÓN

Este producto necesita inspección y mantenimiento regular por parte del usuario. Compruebe todas las piezas xde conexión (remaches, tornillos, etc.) para comprobar que estén apretadas y seguras. Revise que todos los frenos, neumáticos, cierres y arneses de la hamaca funcionan correctamente. Realice las reparaciones o sustituciones necesarias y no continúe usando el producto si la estructura no es segura.

Solo deben emplearse piezas de repuesto UPPAbaby. Usar piezas suministradas por otros fabricantes puede noresultar seguro.

Póngase en contacto con el Servicio al Cliente si tiene preguntas sobre reparaciones.

GARANTÍA

GARANTÍA EXTENDIDA

UPPAbaby ofrece una Garantía Extendida de un año por un total de tres años en todos los carritos de bebé, corralitos y accesorios seleccionados (moisés, asiento auxiliar RumbleSeat, cambiador y patineta PiggyBack).

Para obtener la garantía adicional de un año, los clientes deben registrar su producto dentro de los tres meses posteriores a la compra y proporcionar un recibo válido de un minorista autorizado. ¡Es nuestra manera de decir gracias!

Registre su producto en: uppababy.com/register.

GARANTÍA LIMITADA

Su producto UPPAbaby está garantizado como libre de defectos de fabricación durante un periodo de 2 años a partir de la fecha de compra en condiciones de uso normales y en cumplimiento con las instrucciones de uso.

Esta garantía es intransferible y cubre solo al comprador minorista original y solo es válida cuando se proporciona con un comprobante de compra de un minorista autorizado. Se debe conservar el justificante de compra para esta garantía.

La garantía solo es válida en el país de compra original. Esta garantía está sujeta a las condiciones establecidas por el país en el que se compraron los artículos. Las condiciones pueden variar. UPPAbaby no enviará piezas de repuesto o de reparación fuera del país de compra.

UPPAbaby proporcionará piezas de recambio o realizará reparaciones como la empresa estime oportuno. UPPAbaby se reserva el derecho a intercambiar el artículo con una pieza de repuesto. Algunas piezas podrán reemplazarse con piezas de modelos más recientes para que el artículo mejore con el tiempo.

La presente garantía no cubre:

- Defectos provocados por un uso indebido o un mal mantenimiento. (Consulte el folleto de instrucciones del producto para mayor orientación sobre el uso y mantenimiento);
- El daño causado por una instalación incorrecta de piezas y/o accesorios UPPAbaby. (Consulte el folleto de instrucciones del producto para mayor orientación sobre el montaje y uso del artículo);
- El daño causado por corrosión, moho u oxidación provocada por un mal mantenimiento, servicio o almacenamiento;
- El daño resultado del desgaste habitual;
- El daño o deterioro causado por el sol, sudor, detergentes, condiciones de almacenamiento húmedo o lavados frecuentes;
- Las reparaciones o modificaciones realizadas por un tercero;
- Si el producto se compró a un minorista no autorizado. (Los minoristas aprobados se muestran en nuestro sitio web uppababy.com);
- Propietarios y usuarios distintos del solicitante;
- El daño resultado del envío aéreo y el manejo;
- Los productos que sufran un accidente.

UPPAbaby se reserva el derecho a determinar si se han cumplido los términos y condiciones de la garantía.

Para el servicio de garantía: En EE. UU. y CA, ponte en contacto con el equipo de Experiencia del cliente de UPPAbaby (844) 823-3132 y visita uppababy.com/contact para enviar un correo electrónico. *En EE. UU., las condiciones de la garantía pueden variar de un estado a otro.

Si está fuera de EE. UU. y Canadá póngase en contacto con su distribuidor local. Puede encontrar la información del distribuidor en uppababy.com/global-distributors.

NETTOYAGE

Nettoyez le châssis avec un chiffon humide et un savon doux. Séchez soigneusement. N'utilisez PAS de produits abrasifs.

Pour augmenter la durée de vie des tissus de votre produit, nettoyez-les et ne les laissez pas à la lumière directe du soleil durant un long moment.

Ne pliez PAS et ne stockez PAS le produit s'il est humide ou mouillé, et ne le stockez pas dans un environnement humide.

EXTÉRIEUR DE LA NACELLE

Enlevez les taches ou lavez à la main dans l'eau froide avec un savon doux. N'utilisez pas de javel.

Laissez sécher à plat, à l'abri de la lumière directe du soleil avant réutilisation ou rangement.

Ne nettoyez pas à sec et ne repassez pas.

INTÉRIEUR DE LA NACELLE

Lavez en machine à l'eau froide à cycle délicat, avec une lessive douce. N'utilisez pas de javel.

Laissez sécher à plat, à l'abri de la lumière directe du soleil avant réutilisation ou rangement.

Ne nettoyez pas à sec et ne repassez pas.

MAINTENANCE AND REPAIR

Ce produit nécessite que son utilisateur l'inspecte et l'entretienne régulièrement. Vérifiez le serrage et la sécurité de tous les matériels connectés (rivets, vis, etc.). Inspectez tous les freins, les pneus, les harnais et fermetures du hamac pour un fonctionnement correct. Effectuez des réparations ou remplacements rapidement si besoin, et ne continuez pas à utiliser le produit si sa structure n'est pas sécuritaire.

Seuls les éléments de remplacement d'UPPAbaby doivent être utilisés. Il pourrait être risqué d'utiliser des éléments fournis par un autre vendeur.

Contactez le service client pour toute question concernant la réparation.

GARANTIE

GARANTIE PROLONGÉE

UPPAbaby offre une Garantie Prolongée d'un an pour un total de trois ans sur toutes les poussettes, parcs et accessoires sélectionnés (Nacelle, RumbleSeat, Station à langer et PiggyBack).

Pour bénéficier de la garantie supplémentaire d'un an, les clients doivent enregistrer leur produit dans les trois mois suivant l'achat et fournir un reçu valide d'un détaillant autorisé. C'est notre façon de dire merci!

Enregistrez votre produit sur : uppababy.com/register.

GARANTIE LIMITÉE

Votre produit UPPAbaby est garanti sans défaut de fabrication pendant une période de 2 ans à compter de la date de l'achat, dans le cadre d'une utilisation normale et conforme aux directives d'utilisation.

Cette garantie n'est pas transférable, s'applique seulement à l'acheteur au détail d'origine et n'est valide que sur la présentation d'une preuve d'achat d'un détaillant autorisé. Veuillez conserver la preuve d'achat pour cette garantie.

La garantie n'est valide que dans le pays d'origine de l'achat. Cette garantie est assujettie aux conditions énoncées par le pays dans lequel les articles ont été achetés. Les conditions peuvent varier. UPPAbaby n'expédiera pas de pièces de rechange hors du pays de l'achat.

UPPAbaby fournira des pièces de rechange ou effectuera des réparations, selon ce que l'entreprise jugera opportun. UPPAbaby se réserve le droit d'échanger l'article par une pièce de rechange. Certaines pièces peuvent être remplacées par des pièces d'un nouveau modèle, étant donné que l'article est perfectionné au fil du temps.

Cette garantie ne couvre pas :

- Les défauts causés par un mauvais usage ou entretien. (Veuillez consulter le livret d'instructions du produit pour obtenir les renseignements concernant l'utilisation et l'entretien de l'article).
- Les dommages causés à la suite d'une installation inadéquate des pièces ou des accessoires UPPAbaby. (Veuillez consulter le livret d'instructions pour obtenir les renseignements concernant l'assemblage et l'utilisation de l'article).
- Les dommages dus à la corrosion, à la moisissure ou à la rouille causés par un entretien, une maintenance ou un entreposage inapproprié.
- Les dommages résultant d'une usure normale.
- Les dommages ou les dégradations causés par le soleil, la transpiration, les détergents, l'entreposage dans un lieu humide ou des lavages fréquents.
- Les réparations ou les modifications effectuées par un tiers.
- Les articles achetés chez un détaillant non autorisé. (Les détaillants approuvés sont énumérés sur notre site [Web uppababy.com](http://uppababy.com)).
- Les seconds propriétaires et utilisateurs autres que le déclarant.
- Les dommages résultant d'un transport aérien.
- Les produits impliqués dans un accident.

UPPAbaby se réserve le droit de déterminer si les modalités de la garantie ont été respectées.

Pour le service de garantie : Aux États-Unis et en Californie, veuillez contacter UPPAbaby Customer Experience (844) 823-3132 et visiter uppababy.com/contact pour envoyer un courriel. Aux États-Unis, les conditions de la garantie peuvent différer d'un état à l'autre.

En dehors des États-Unis et du Canada, veuillez communiquer avec votre distributeur local. Les coordonnées des distributeurs se trouvent sur uppababy.com/global-distributors.



PULIZIA

Pulire il telaio con un panno umido e un detergente neutro, lasciare asciugare completamente. NON utilizzare ostanze abrasive.

Per prolungare la durata dei tessuti del prodotto, mantenerli puliti e non esporli alla luce del sole diretta per lunghi periodi.

NON chiudere o conservare il prodotto se umido o bagnato e non riporlo in ambienti umidi.

ESTERNO NAVICELLA

Smacchiare o lavare a mano in acqua fredda con un detergente neutro. Non candeggiare.

Asciugare in piano e lontano dalla luce diretta del sole v prima di riutilizzarle o conservarle.

Non stirare o pulire a secco.

INTERNO NAVICELLA

Lavare a macchina con ciclo delicato e detergente neutro. Non candeggiare.

Asciugare in piano e lontano dalla luce diretta del sole prima di riutilizzarle o conservarle.

Non stirare o pulire a secco.

MANUTENZIONE E RIPARAZIONE

Il prodotto richiede ispezione e manutenzione regolari da parte dell'utente. Controllare la sicurezza e il serraggio di tutti gli elementi di connessione (rivetti, viti, ecc.). Controllare il corretto funzionamento di tutti i freni, i pneumatici, le imbragature del seggiolino e i blocchi. Effettuare le riparazioni necessarie in modo tempestivo o la sostituzione e non continuare mai a utilizzare il prodotto se la sua struttura non è integra.

Utilizzare esclusivamente parti di ricambio UPPAbaby. L'utilizzo di parti di altri marchi potrebbe compromettere la sicurezza del prodotto.

Per qualsiasi domanda inerente le riparazioni, contattare il servizio di assistenza clienti.

GARANZIA

GARANZIA ESTESA

UPPAbaby offre una Garanzia Estesa di un anno per un totale di tre anni su tutti i passeggini, i box e gli accessori selezionati (culla, RumbleSeat, fasciatoio e PiggyBack).

Per ricevere la garanzia aggiuntiva di un anno, i clienti devono registrare il proprio prodotto entro tre mesi dall'acquisto e fornire una ricevuta valida di un rivenditore autorizzato. È il nostro modo di dire grazie!

Registra il tuo prodotto su uppababy.com/register.

GARANZIA LIMITATA

Il prodotto UPPAbaby è garantito da difetti di fabbricazione per un periodo di 2 anni dalla data di acquisto in condizioni di utilizzo normali e in conformità con le istruzioni operative.

La garanzia non è trasferibile e si estende solo all'acquirente originario ed è valida solo se fornita con la prova di acquisto da parte di un rivenditore autorizzato. Per questa garanzia, la prova di acquisto deve essere conservata.

La garanzia è valida solo nel paese originario di acquisto. La garanzia è soggetta alle condizioni valide nel paese in cui gli articoli sono stati acquistati. Le condizioni possono cambiare. UPPAbaby non spedisce parti sostitutive o di riparazione al di fuori del paese di acquisto.

UPPAbaby fornirà parti sostitutive o riparazioni nelle modalità stabilite dall'azienda. UPPAbaby si riserva il diritto di scambiare l'articolo con una parte sostitutiva. Alcune parti possono essere sostituite con nuove parti se l'articolo è migliorato nel tempo.

La presente garanzia non copre:

- I difetti causati da un uso non corretto o da scarsa manutenzione. (fare riferimento al libretto di istruzioni del prodotto per indicazioni su utilizzo e manutenzione).
- Il danno causato da un'installazione non corretta di parti e/o accessori UPPAbaby. (fare riferimento al libretto di istruzioni del prodotto per una guida al montaggio e all'utilizzo dell'articolo).
- Il danno causato da corrosione, muffa o ruggine dovute a impropria manutenzione, assistenza o conservazione.
- I danni derivanti dalla normale usura.
- I danni causati da sole, sudore, detersivi, umidità, errate condizioni di conservazione o lavaggi frequenti.
- Riparazioni o modifiche effettuate da terze parti.
- Prodotto acquistato presso un rivenditore non autorizzato. (l'elenco dei rivenditori autorizzati è disponibile sul sito web uppababy.com).
- Secondi proprietari e utenti diversi dal soggetto che effettua la registrazione.
- I danni derivanti da spedizione e trasporto aereo.
- Prodotti coinvolti in incidenti.

UPPAbaby si riserva il diritto di decidere se i termini e le condizioni della garanzia sono stati soddisfatti.

Al di fuori di Stati Uniti e Canada, contattare il distributore locale.

Le informazioni relative ai distributori sono disponibili all'indirizzo uppababy.com/global-distributors.

REINIGUNG

Reinigen Sie das Gestell mit einem feuchten Tuch und einem milden Reinigungsmittel, und trocknen Sie Ihr gründlich ab. KEINE Schleifmittel verwenden.

Um die Haltbarkeit der Textilien Ihres Produktes zu verlängern, halten Sie es sauber und setzen Sie es nicht über lange Zeiträume direktem Sonnenlicht aus.

Das Produkt NICHT falten oder lagern, wenn es feucht oder nass ist, und auch nicht in einer feuchten Umgebung lagern.

ÄUSSEREN TRAGEKORB

Einzelne stellen oder handwäsche in kaltem wasser mit mildem waschmittel. Nicht bleichen.

Vor der wiederverwendung oder lagerung liegend und nicht in direktem sonnenlicht trocknen.

Nicht bügeln oder trockenreinigen.

INNERE TRAGEKORB

In maschine mit schonwaschgang und mildem waschmittel waschen. Nicht bleichen.

Vor der wiederverwendung oder lagerung liegend und nicht in direktem sonnenlicht trocknen.

Nicht bügeln oder trockenreinigen.

WARTUNG UND REPARATUR

Dieses Produkt muss regelmäßig durch den Benutzer überprüft und gewartet werden. Überprüfen Sie alle Verbindungen (Nieten, Schrauben usw.) daraufhin, dass sie fest und sicher sind. Überprüfen Sie ob alle Bremsen, Räder, Sitzgurte und Verschlüsse ordnungsgemäß funktionieren. Lassen Sie sofort Reparaturen vornehmen oder fordern Sie Ersatzteile an, wenn nötig, und nutzen Sie das Produkt nie weiter, falls es nicht stabil oder sicher ist.

Nur UPPAbaby Ersatzteile verwenden. Es kann gefährlich sein, Ersatzteile von einem anderen Hersteller zu verwenden.

Kontaktieren Sie den Kundenservice mit jeglichen Fragen zur Reparatur.

GARANTIE

VERLÄNGERTE GARANTIE

UPPAbaby bietet eine Verlängerte Garantie von einem Jahr für insgesamt drei Jahre Garantie auf alle Kinderwagen, Kinderbetten und ausgewähltes Zubehör (Tragekorb, RumbleSeat, Wickelkommode und PiggyBack).

Um die zusätzliche einjährige Garantie zu erhalten, müssen die Kunden ihr Produkt innerhalb von drei Monaten nach dem Kauf registrieren und einen gültigen Kaufbeleg eines autorisierten Händlers vorlegen. Das ist unsere Art, Danke zu sagen!

Registrieren sie ihr produkt unter uppababy.com/register.

BESCHRÄNKTE GARANTIE

Für Ihr UPPAbaby-Produkt gilt bei normaler und sachgemäßer Verwendung entsprechend der Gebrauchsanweisung für einen Zeitraum von 2 Jahren ab Kaufdatum eine Gewährleistung auf Sachmängel.

Diese Garantie ist nicht übertragbar und gilt nur für den ursprünglichen Käufer und nur in Zusammenhang mit dem Kaufbeleg von einem autorisierten Händler. Der Kaufbeleg muss für diese beschränkte Garantie aufbewahrt werden.

Die Garantie gilt nur in dem Land, in dem das Produkt erworben wurde. Diese Garantie unterliegt den Bedingungen des jeweiligen Landes, in dem das Produkt erworben wurde. Diese Bedingungen können je nach Ort variieren. UPPAbaby versendet keine Ersatzteile und kein Reparaturzubehör außerhalb des Landes, in dem das Produkt erworben wurde.

UPPAbaby bietet Ersatzteile und nimmt Reparaturen vor, sofern dies vom Hersteller als angemessen angesehen wird. UPPAbaby behält sich das Recht vor, beschädigte Teile durch ein Ersatzteil zu ersetzen. Bei Ersatzteilen kann es sich unter Umständen um Teile eines neueren Modells handeln, falls das Produkt zwischenzeitlich verbessert wurde.

Diese Garantie umfasst nicht:

- Beschädigungen durch unsachgemäße Anwendung oder mangelhafte Wartung. (Lesen Sie hierzu die Produkthinweise zur Verwendung und Wartung in der Gebrauchsanleitung).
- Beschädigung durch unsachgemäße Installation von UPPAbaby-Artikeln und/oder Zubehör. (Lesen Sie hierzu die Produkthinweise zur Verwendung und Anbringung in der Gebrauchsanleitung).
- Beschädigung durch Korrosion, Schimmel oder Rost aufgrund mangelhafter Wartung, Pflege und Aufbewahrung.
- Beschädigung durch normale Abnutzung.
- Beschädigung oder Erosion durch die Sonne, Schweiß, Reinigungsmittel, Aufbewahrungsbedingungen oder häufiges Waschen.
- Reparaturen und Änderungen durch eine nicht autorisierte Person.
- Erwerb des Produkts von einem nicht autorisierten Händler. (Eine Liste autorisierter Händler finden Sie auf unserer Website unter uppababy.com).
- Den Zweitbesitz oder andere Besitzer als den gemeldeten.
- Beschädigung durch Transport oder Handhabung im Flugzeug.
- Produkte, die in einen Unfall verwickelt waren.

UPPAbaby behält sich das Recht vor, festzustellen, ob die Bedingungen der Garantie erfüllt sind.

Kontaktieren Sie außerhalb der USA und Kanada Ihren lokalen Fachhändler. Informationen zu Fachhändlern finden Sie unter uppababy.com/global-distributors.

REINIGEN

Reinig het frame met een vochtige doek en een mild schoonmaakmiddel; laat grondig drogen.
GEBRUIK GEEN schuurmiddelen.

Om de levensduur van de stof van uw product te verlengen, houdt u het schoon en laat u het niet voor langere tijd in direct zonlicht staan.

Vouw het product NIET op en bewaar het NIET wanneer het vochtig of nat is. Berg het ook NIET op in een vochtige omgeving.

BUITENKANT VAN REISWIEG

Reinigen met een doekje of met de hand wassen in koud water met een mild wasmiddel. Niet bleken.

Droog het liggend en buiten bereik van direct zonlicht vóór hergebruik of bewaren.

Niet strijken of chemisch reinigen.

BINNENKANT VAN DE REISWIEG

In de wasmachine koud wassen met een fijnwasprogramma en een mild wasmiddel. Niet bleken.

Droog het liggend en buiten bereik van direct zonlicht vóór hergebruik of bewaren.

Niet strijken of chemisch reinigen.

ONDERHOUD EN REPARATIE

Dit product heeft regelmatig controle en onderhoud van de gebruiker nodig. Controleer alle verbindende ijzerwaren (klinknagels, schroeven enz.) op spanning en veiligheid. Controleer alle remmen, wielen, veiligheidsgordels en sloten en verzeker een correcte en veilige werking. Laat het product direct repareren en/of monteer direct vervangende onderdelen wanneer dit nodig is. Gebruik het product nooit wanneer het bouwtechnisch onveilig is.

Alleen vervangende onderdelen van UPPAbaby mogen worden gebruikt. Het kan onveilig zijn om onderdelen te gebruiken die door een andere fabrikant zijn gemaakt.

Neem contact op met de klantenservice als u vragen hebt met betrekking tot reparaties.

GARANTIE

UITGEBREIDE GARANTIE

UPPAbaby biedt een Uitgebreide Garantie van één jaar voor een totaal van drie jaar op alle wandelwagens, boxen en bepaalde accessoires (reiswieg, RumbleSeat, aankleedkussen en PiggyBack).

Om de extra garantie van één jaar te ontvangen, moeten klanten hun product binnen drie maanden na aankoop registreren en een geldig ontvangstbewijs van een geautoriseerd verkooppunt overleggen. Dit is onze manier om dankuwel te zeggen!

Registreer uw product op uppababy.com/register.

BEPERKTE GARANTIE

Bij normaal gebruik in overeenstemming met de gebruiksaanwijzing garandeert UPPAbaby dat het product vrij is van fabricagefouten. Deze garantie geldt voor een periode van 2 jaar vanaf de aankoopdatum.

Deze garantie is niet overdraagbaar en geldt uitsluitend voor de oorspronkelijke koper en tegen overlegging van een aankoopbewijs van een geautoriseerde verkoper. Het aankoopbewijs moet voor deze garantie worden bewaard.

De garantie geldt uitsluitend in het oorspronkelijke land van aankoop. Deze garantie is onder voorbehoud van de voorwaarden die zijn vastgesteld voor het land waarin het artikel is aangeschaft. Deze voorwaarden kunnen verschillen. UPPAbaby levert geen vervangende onderdelen of herstelonderdelen buiten het land van aankoop.

UPPAbaby verstrekt vervangende onderdelen of voert reparaties uit, al naar gelang hetgeen als passend wordt bevonden door het bedrijf. UPPAbaby behoudt zich het recht voor een artikel om te wisselen voor een vervangend onderdeel. Sommige onderdelen worden mogelijk vervangen door onderdelen van nieuwere modellen, aangezien de producten in de loop der tijd worden verbeterd.

De garantie dekt geen:

- Fouten veroorzaakt door verkeerd gebruikt of ontoereikend onderhoud. (Raadpleeg de gebruiksaanwijzing voor het product voor meer informatie over het gebruik en onderhoud van het artikel).
- Schade die is veroorzaakt door onjuiste installatie van UPPAbaby-onderdelen en/of accessoires. (Raadpleeg de gebruiksaanwijzing voor het product voor meer informatie over de montage en het gebruik van het artikel).
- Schade veroorzaakt door corrosie, schimmel of roest als gevolg van onvoldoende onderhoud of verkeerd opbergen.
- Schade veroorzaakt door normale slijtage.
- Schade of achteruitgang veroorzaakt door de zon, zweet, reinigingsmiddelen, opslagomstandigheden of veelvuldig wassen.
- Reparaties of aanpassingen die zijn uitgevoerd door een derde partij.
- Product dat niet is aangeschaft bij een geautoriseerde verkoper. (De goedgekeurde verkopers worden vermeld op onze website uppababy.com).
- Tweede eigenaren en gebruikers die niet de inschrijver zijn.
- Schade veroorzaakt door verzending en afhandeling van een luchtvaartmaatschappij.
- Producten die bij een ongeval betrokken waren.

UPPAbaby behoudt zich het recht voor te bepalen of is voldaan aan de garantievoorzwaarden.

Neem buiten de VS en CA contact op met uw lokale distributeur.

Informatie over distributeurs is te vinden op uppababy.com/global-distributors.

LIMPEZA

Limpe a estrutura com um pano úmido e detergente neutro, seque bem. NÃO USE produtos abrasivos.

Se partes da estrutura molharam com água salgada, enxágue-as com água doce logo que possível, para evitar corrosão. Sempre seque as partes que forem molhadas.

Para os tecidos durarem mais, mantenha-os limpos e evite deixá-los ao sol por longos períodos.

NÃO dobre nem guarde o produto se estiver úmido ou molhado, e guarde-o sempre em local seco.

EXTERIOR DO BERÇO

Limpeza de manchas ou lavagem à mão em água fria com detergente neutro. NÃO use alvejante.

Secar esticado, protegido do sol, antes de reutilizar ou armazenar.

NÃO passar a ferro nem lavar a seco.

INTERIOR DO BERÇO

Lavar na máquina no ciclo suave com água fria e detergente neutro. NÃO use alvejante.

Secar esticado, protegido do sol, antes de reutilizar ou armazenar.

NÃO passar a ferro nem lavar a seco.

MANUTENÇÃO E REPAROS

Esse produto deve ser verificado e cuidado regularmente. Verifique se as conexões (rebites, parafusos etc.) estão firmes e seguras. Inspeccione se os freios, correias, suportes do assento e travas operam corretamente.

Se necessário, busque a substituição ou reparos de peças. Não use o produto se não estiver totalmente seguro.

Use apenas peças de reposição da UPPAbaby. Pode não ser seguro utilizar peças fornecidas por outro fabricante.

Consulte o Atendimento ao Cliente se tiver dúvidas sobre reparos.

GARANTIA

GARANTIA ADICIONAL

A UPPAbaby oferece uma Garantia Adicional de um ano, com um total de três anos, em todos os carrinhos, berços desmontáveis e acessórios selecionados (Berço, RumbleSeat, Trocador e PiggyBack).

Para receber a garantia adicional de um ano, os clientes devem registrar seu produto no prazo de três meses após a compra e fornecer um cupom fiscal válido de um varejista autorizado. Esta é a nossa maneira de dizer obrigado!

Registre seu produto em uppababy.com/register.

GARANTIA LIMITADA

Desde que usado em condições normais e de acordo com as instruções de operação, o produto UPPAbaby tem garantia para quaisquer defeitos de fabricação por um período de 2 anos a partir da data de compra.

Essa garantia não é transferível, abrange apenas o comprador original e só é válida com a apresentação da nota fiscal de um revendedor autorizado. A nota fiscal deve ser retida para esta garantia.

A garantia só é válida no país onde o produto foi adquirido. Essa garantia está sujeita às condições determinadas pelo país onde os itens foram adquiridos. As condições podem variar de um país para outro. A UPPAbaby não enviará peças de reparo ou substituição para fora do país da compra.

A UPPAbaby fornecerá peças de substituição ou realizará reparos, a seu critério. A UPPAbaby reserva-se o direito de substituir o produto por outro. Algumas peças pode ser substituídas por peças de modelos mais novos pois o item é aprimorado ao longo do tempo.

Esta garantia não cobre:

- Defeitos causados por uso inadequado ou manutenção indevida. (Consulte neste folheto de instruções do produto as orientações de uso e manutenção do item).
- Danos causados pela instalação incorreta de peças e/ou acessórios da UPPAbaby. (Consulte neste folheto de instruções do produto as orientações de montagem e uso do item).
- Danos causados por corrosão, mofo ou ferrugem devido a falta de manutenção ou cuidados.
- Danos resultantes do desgaste normal.
- Danos ou degradação causada pelo sol, suor, detergentes, condições de armazenamento úmidas ou lavagem quente.
- Reparos ou modificações realizados por terceiros.
- Produto adquirido de um revendedor não autorizado. (Os varejistas aprovados estão relacionados no site uppababy.com).
- Segundos proprietários e usuários diferentes dos registrados.
- Danos resultantes do envio e manuseio de linhas aéreas.
- Produtos envolvidos em um acidente.

A UPPAbaby reserva-se o direito de determinar se os termos e condições da garantia foram respeitados.

Fora dos EUA e do CA, entre em contato com seu distribuidor local.

As informações do distribuidor podem ser encontradas em uppababy.com/global-distributors.

RENGÖRING

Rengör chassiet med en fuktig trasa och ett mildt rengöringsmedel. Torka av ordentligt. Använd INTE medel med slipeffekt.

Om du vill förlänga livslängden på produktens klädsel ska du hålla den ren och inte låta den vara i direkt solljus under längre stunder.

Fäll INTE ihop eller ställ undan produkten om den är fuktig eller blöt. Förvara den heller inte i fuktiga miljöer.

YTTRE LIGGDEL

Lokal rengöring eller handtvätt i kallt vatten med mildt rengöringsmedel. Får INTE blekas.

Torka platt och borta från direkt solljus innan återanvändning eller förvaring.

Stryk INTE. Kemtvätta INTE.

INRE LIGGDEL

Maskintvätt kallt skonsamt program med mildt tvättmedel. Får INTE blekas.

Torka platt och borta från direkt solljus innan återanvändning eller förvaring.

Stryk INTE. Kemtvätta INTE.

UNDERHÅLL OCH REPARATION

Den här produkten kräver inspektion och underhåll regelbundet. Kontrollera att alla kopplingsdelar (nitar och skruvar osv.) sitter ordentligt och säkert. Inspektera alla bromsar, däck, selar och lås för korrekt användning. Reparera eller byt ut delar omedelbart efter behov och fortsätt aldrig att använda produkten om den inte är strukturellt säker.

Endast utbytesdelar från UPPAbaby bör användas. Säkerheten kan inte garanteras om delar från andra tillverkare används.

Kontakta kundtjänst om du har frågor om reparation.

GARANTI

UTÖKAD GARANTI

UPPAbaby erbjuder en Utökad Garanti på ett år i totalt tre år på alla barnvagnar, lekplatser och utvalda tillbehör (liggdel, RumbleSeat, bytesstation och PiggyBack).

För att erhålla den extra ettåriga garantin måste kunder registrera sin produkt inom tre månader efter köpet och tillhandahålla ett giltigt kvitto från en auktoriserad återförsäljare. Det är vårt sätt att säga tack!

Registrera din produkt på uppababy.com/register.

BEGRÄNSAD GARANTI

Vi garanterar att produkten från UPPAbaby är fri från tillverkningsfel under en period på två år från inköpsdatumet vid normal användning och vid användning i enlighet med anvisningarna.

Den här garantin får inte överlåtas och gäller endast för den ursprungliga köparen och är endast giltig tillsammans med ett inköpsbevis från en auktoriserad återförsäljare. Inköpsbeviset måste sparas för den här begränsade garantin.

Garantin gäller endast i landet där produkten först köptes. Den här garantin lyder under villkor som gäller i det land där varorna köptes. Villkoren kan variera. UPPAbaby levererar inte utbytes- eller reparationsdelar utanför landet där varan köptes.

UPPAbaby tillhandahåller utbytesdelar eller utför reparationer enligt företagets beslut. UPPAbaby förbehåller sig rätten att byta ut delar mot utbytesdelar. Eftersom artikeln förbättras med tiden kan vissa delar bytas ut mot delar från nyare modeller.

Denna garanti gäller inte för:

- Defekter som har orsakats av felaktig användning eller bristfälligt underhåll. (Läs produktens användarhandbok för information om hur du använder och underhåller artikeln).
- Skada som orsakats av felaktig montering av UPPAbabys delar och/eller tillbehör. (Läs produktens användarhandbok för information om hur du monterar och använder artikeln.)
- Rostskador eller mögel som har uppstått till följd av att underhåll, service eller förvaring utförts bristfälligt.
- Skada som orsakats av normalt slitage.
- Skada eller nedbrytning som har orsakats av solljus, svett, rengöringsmedel, förvaring i fuktiga miljöer eller frekvent tvättning.
- Reparationer eller modifieringar som har utförts av tredje part.
- Produkt som köpts från en obehörig återförsäljare. (En lista med godkända återförsäljare finns på vår webbplats på uppababy.com).
- Andrahandsägare och andra användare än den registrerade.
- Skada som orsakats av flygtransport och -hantering.
- Produkter som varit inblandade i en olycka.

UPPAbaby förbehåller sig rätten att avgöra om garantivillkoren har uppfyllts.

Utanför USA och Kanada kontaktar du din lokala återförsäljare.

Information om återförsäljare finns på uppababy.com/global-distributors.

CZYSZCZENIE

Konstrukcję czyścić wilgotną ściereczką z łagodnym detergentem; dokładnie wysuszyć. NIE używać materiałów ściernych.

Jeśli części konstrukcyjne zostały wystawione na działanie słońca, zaleca się wypłukanie ich jak najszybciej świeżą wodą (z kranu), aby uniknąć korozji. Zawsze należy osuszyć stelaż, jeśli jest mokry.

Aby wydłużyć żywotność materiałowego pokrowca wózka, utrzymuj go w czystości i nie wystawiaj zbyt długo na bezpośrednie działanie promieni słonecznych.

NIE składaj ani nie przechowuj wózka, jeśli jest wilgotny lub mokry, ani nie przechowuj go w wilgotnym otoczeniu.

KOSZYK ZEWNĘTRZNY

Czyścić punktowo lub prać ręcznie w zimnej wodzie z łagodnym detergentem. NIE wybielać.

Przed ponownym użyciem lub przechowywaniem wysuszyć na płasko i z dala od bezpośredniego światła słonecznego.

NIE prasować ani nie czyścić chemicznie.

KOSZYK WEWNĘTRZNY

Prać w pralce w niskiej temperaturze i z łagodnym detergentem. NIE wybielać.

Przed ponownym użyciem lub przechowywaniem wysuszyć na płasko i z dala od bezpośredniego światła słonecznego.

NIE prasować ani nie czyścić chemicznie.

KONSERWACJA I PIELĘGNACJA

Wózek należy regularnie kontrolować i konserwować na bieżąco. Sprawdzaj wszystkie elementy łączące (nity, śruby itp.) pod kątem szczelności i bezpieczeństwa. Sprawdzaj, czy hamulce, opony, pasy bezpieczeństwa i blokady działają prawidłowo. W razie potrzeby niezwłocznie dokonuj napraw lub wymiany części i nigdy nie używaj wózka, gdy jego konstrukcja nie jest w pełni bezpieczna.

Należy stosować wyłącznie części zamienne UPPAbaby. Stosowanie części dostarczonych przez innego producenta może być niebezpieczne.

Wszelkie pytania dotyczące naprawy należy kierować bezpośrednio do działu obsługi.

GWARANCJA ROZSZERZONA WARRANTY

UPPAbaby oferuje Przedłużoną Gwarancję na okres jednego roku przez łącznie trzy lata na wszystkie wózki, kojce i wybrane akcesoria (gondola, fotelik RumbleSeat, przewijak i nosidełko PiggyBack).

Aby otrzymać dodatkową roczną gwarancję, klienci muszą zarejestrować swój produkt w ciągu trzech miesięcy od zakupu i przedstawić ważny paragon od autoryzowanego sprzedawcy. To nasz sposób na podziękowanie!

Zarejestruj swój produkt na uppababy.com/register.

OGRANICZONA GWARANCJA

Produkt UPPAbaby jest objęty gwarancją na brak wad fabrycznych przez okres 2 lat od daty zakupu przy normalnym użytkowaniu i przestrzeganiu instrukcji obsługi.

Niniejsza gwarancja jest niezbywalna i przysługuje wyłącznie pierwotnemu nabywcy detaliczemu. Gwarancja jest ważna wyłącznie po przedstawieniu dowodu zakupu od autoryzowanego sprzedawcy. W celu skorzystania z tej gwarancji należy zachować dowód zakupu.

Gwarancja jest ważna tylko w kraju, w którym dokonano zakupu. Niniejsza gwarancja podlega warunkom określonym przez kraj, w którym produkt został zakupiony. Warunki mogą się różnić. Firma UPPAbaby nie będzie wysyłać części zamiennych ani naprawczych poza kraj zakupu.

Firma UPPAbaby dostarczy części zamienne lub przeprowadzi naprawy w sposób określony jako odpowiedni przez firmę. Firma UPPAbaby zastrzega sobie prawo do wymiany na część zamienną. Niektóre części mogą zostać zastąpione nowszymi częściami w miarę udoskonalania produktu.

Niniejsza gwarancja nie obejmuje:

- Wad spowodowanych niewłaściwym użytkowaniem lub złą konserwacją. (Wskazówki dotyczące użytkowania i konserwacji elementów znajdują się w instrukcji obsługi produktu).
- Uszkodzeń spowodowanych nieprawidłowym montażem części i/lub akcesoriów UPPAbaby. (Wskazówki dotyczące montażu i użytkowania znajdują się w instrukcji obsługi produktu).
- Uszkodzeń spowodowanych przez korozję, pleśń lub rdzę z powodu złej konserwacji, serwisu lub przechowywania.
- Uszkodzeń wynikających z normalnego zużycia.
- Uszkodzeń lub zniszczenia spowodowanego działaniem słońca, potu, detergentów, wilgotnych warunków przechowywania lub częstego prania.
- Napraw lub modyfikacji wykonywanych przez stronę trzecią.
- Produktów zakupionych od nieautoryzowanego sprzedawcy. (Zatwierdzeni sprzedawcy są wymienieni na naszej stronie internetowej uppababy.com).
- Drugich właścicieli ani użytkowników innych niż rejestrujący.
- Uszkodzeń wynikających z transportu lotniczego i przeładunku.
- Produktów uczestniczących w wypadku.

Firma UPPAbaby zastrzega sobie prawo do określenia, czy warunki gwarancji zostały spełnione.

Poza USA i Kanadą prosimy o kontakt z lokalnym dystrybutorem.

Informacje o dystrybutorze można znaleźć na stronie uppababy.com/global-distributors.

TEMİZLİK

Şasi bölümünü ıslak bir bezle ve yumuşak deterjanla temizleyin; tamamen kurutun. Aşındırıcı temizlik malzemesi KULLANMAYIN.

Ürününüzün kumaşının ömrünü uzatmak için temiz tutun ve doğrudan güneş ışığına uzun süre maruz bırakmayın.

Ürünü nemli veya ıslak halde KATLAMAYIN veya SAKLAMAYIN veya nemli bir ortamda saklamayın.

DIŞ BASİNET

Soğuk suda hafif deterjanla lekeli kısmı temizleyin veya elde yıkayın. Ağartıcı KULLANMAYIN.

Yeniden kullanmadan veya saklamadan önce düz bir şekilde ve doğrudan güneş ışığından uzakta kurutun.

ÜTÜLEMEYİN veya kuru temizleme YAPMAYIN.

İÇ BASİNET

Makinede hafif deterjanla soğuk narin yıkama yapın. Ağartıcı KULLANMAYIN.

Yeniden kullanmadan veya saklamadan önce düz bir şekilde ve doğrudan güneş ışığından uzakta kurutun.

ÜTÜLEMEYİN veya kuru temizleme YAPMAYIN.

BAKIM VE ONARIM

Bu ürün düzenli olarak kullanıcı denetimi ve bakımını gerektirir. Bütün bağlantı malzemelerini (perçinler, vidalar, vb.) sıklıkla ve emniyet açısından kontrol edin. Bütün frenlerin, lastiklerin, koltuk emniyet kemerlerinin ve kilitlerinin doğru çalışıp çalışmadığını kontrol edin. Gerekliği anda hızlı onarım veya yedek parça isteyin ve ürünü yapı bakımından güvenli olmayan bir şekilde kesinlikle kullanmayın.

Yalnızca UPPAbaby yedek parçaları kullanılmalıdır. Başka bir üreticiden temin edilen parçaların kullanılması emniyetsiz olabilir.

Herhangi bir onarım sorusu ile ilgili Müşteri Hizmetleri ile irtibata geçin.

GARANTİ

UZATILMIŞ GARANTİ

UPPAbaby, tüm bebek arabaları, park yataklar ve belirli aksesuarlar (Basinet, RumbleSeat, Alt Değiştirme İstasyonu ve PiggyBack) için toplam üç yıl boyunca bir yıllık Uzatılmış Garanti sunar.

Bir yıllık ek garantiyi almak için, müşterilerin satın alma tarihinden itibaren üç ay içinde ürünlerini kaydettirmeleri ve yetkili bir satıcıdan geçerli bir makbuz ibraz etmeleri zorunludur. İze bu şekilde teşekkür ediyoruz!

Ürününüzü şuradan kaydedirin: uppababy.com/register.

SINIRLI GARANTİ

UPPAbaby ürününüz talimatlara uygun ve normal kullanım koşulları altında, üretimden kaynaklanan hatalara karşı satın alma tarihinden itibaren 2 yıl garanti kapsamındadır.

Bu garanti devredilemez ve yalnızca yetkili bayiden alınmış satın alma belgesiyle birlikte sağlandığında ve yalnızca asıl alıcı için geçerlidir. Bu garanti için satın alma belgesi saklanmalıdır.

Garanti yalnızca ürünün satın alındığı ülkede geçerlidir. Bu garanti, ürünlerin satın alındığı ülke tarafından belirlenen koşullara tabidir. Koşullar değişiklik gösterebilir. UPPAbaby satın alınan ülkenin dışına yedek parça göndermez.

UPPAbaby, şirket tarafından belirlenen yedek parçaları veya tamir işlemini sağlayacaktır. UPPAbaby ürünleri yenisiyle değiştirme hakkını saklı tutar. Ürünler zaman içinde geliştirilebileceği için bazı parçalar daha yeni modellere ait parçalar ile değiştirilebilir.

Bu garanti şunları kapsamaz:

- Hatalı kullanım veya yetersiz bakımdan kaynaklanan arızalar. (Ürünün kullanımı ve bakımı ile ilgili yardım için lütfen ürün kullanım kitapçığına bakın).
- UPPAbaby parçalarının ve/veya aksesuarlarının yanlış takılması nedeniyle oluşan hasarlar. (Ürünün kurulumu ve kullanımı konusunda yardım için lütfen ürün kullanım kitapçığına bakın).
- Eksik bakım, servis veya saklamaya bağlı olarak korozyon veya pas nedeniyle oluşan hasar.
- Normal aşınma ve yıpranma sonucu oluşan hasar.
- Güneş, terleme, deterjanlar, nemli ortamda saklama veya sık yıkama nedeniyle oluşan hasar veya bozulma.
- Üçüncü taraflarca yapılan tamir ve tadilatlar.
- Yetkili olmayan bir satıcıdan temin edilen ürün. (Onaylı bayilerin listesini uppababy.com adresindeki web sitemizde bulabilirsiniz).
- Kayıtlı olanın haricindeki kullanılmış ürün sahipleri ve kullanıcıları.
- Havayolu ile nakliye ve taşıma sonucu oluşan hasar.
- Kazaya karışan ürünler.

UPPAbaby garanti şartları ve koşullarının karşılandığını belirleme hakkını saklı tutar.

ABD ve Kanada dışında lütfen yerel distribütörünüz ile iletişime geçin.

Distribütör bilgileri uppababy.com/global-distributors adresinde bulunabilir.

ОЧИСТКА

Раму изделия можно очищать влажной тканью, смоченной мягким моющим средством. Выполняйте очистку с максимальной тщательностью. НЕ ИСПОЛЬЗУЙТЕ абразивные чистящие средства.

Для недопущения коррозии при попадании на раму изделия соленой воды рекомендуется в кратчайшие сроки промыть её пресной (водопроводной) водой. В случае намокания рамы ее необходимо высушить.

Поддерживайте обивку в чистоте и не допускайте длительного воздействия на нее прямых солнечных лучей. Это позволит продлить срок службы изделия.

НЕ СКЛАДЫВАЙТЕ И НЕ ХРАНИТЕ изделие во влажном виде, а также во влажной среде.

ВНЕШНЯЯ ЛЮЛЬКА

Удаляйте отдельные пятна или стирайте вручную в холодной воде с использованием мягкого моющего средства. ЗАПРЕЩЕНО отбеливать.

Перед повторным использованием или хранением высушите на плоской поверхности и вдали от прямых солнечных лучей.

ЗАПРЕЩЕНО гладить и подвергать химической чистке.

ВНУТРЕННЯЯ ЛЮЛЬКА

Стирайте в машине в холодной воде в щадящем режиме с использованием мягкого моющего средства. ЗАПРЕЩЕНО отбеливать.

Перед повторным использованием или хранением высушите на плоской поверхности и вдали от прямых солнечных лучей.

ЗАПРЕЩЕНО гладить и подвергать химической чистке.

РЕМОНТ И ОБСЛУЖИВАНИЕ

Регулярно осматривайте изделие и при необходимости выполняйте его обслуживание. Следите за состоянием всех крепежных элементов (заклепок, винтов и т. д.). Проверяйте работоспособность тормозных механизмов, состояние колес, ремней безопасности и застёжек. При необходимости выполняйте ремонт или замену поврежденных компонентов. Не используйте изделие, если возникли сомнения в его конструктивной надежности и безопасности.

Следует использовать только запчасти UPPAbaby. Использование деталей другого производителя может быть небезопасным.

По всем вопросам, связанным с ремонтом, обращайтесь в службу поддержки покупателей.

ГАРАНТИЮ ПРОДЛЕННУЮ ГАРАНТИЮ

UPPAbaby предлагает продленную гарантию сроком один год (в общей сложности на три года) на все коляски, игровые площадки и некоторые аксессуары (люльку, rumbleseat, пеленальный стол и платформу для передвижения стоя).

Чтобы получить дополнительную годовую гарантию, клиенты должны зарегистрировать изделие в течение трех месяцев с момента приобретения и предоставить подлинный чек из официального розничного магазина. Таким образом мы выражаем вам свою благодарность.

Зарегистрируйте изделие на веб-сайте uppababy.com/register.

ОГРАНИЧЕННАЯ ГАРАНТИЮ

отношении изделия UPPAbaby действует гарантия отсутствия производственных дефектов сроком на 2 года со дня покупки при условии надлежащего использования в соответствии с правилами эксплуатации.

Данная гарантия не может быть передана, действует только для изначального розничного покупателя и действительна только при предоставлении подтверждения покупки. Сохраняйте подтверждение покупки в течение периода действия ограниченной гарантии.

Гарантия действительна только в изначальной стране покупки. Данная гарантия действует в соответствии с законодательством страны, в которой было приобретено изделие. Условия могут различаться. Компания UPPAbaby не отправляет сменные компоненты или запчасти для ремонта за пределы страны покупки.

Компания UPPAbaby сама устанавливает порядок предоставления сменных компонентов и выполнения ремонта. Компания UPPAbaby оставляет за собой право предоставлять сменные компоненты. Некоторые компоненты могут заменяться более новыми моделями по мере модернизации прогулочной коляски.

Обратите внимание, что случай НЕ является гарантийным, если:

- Неисправность возникла по причине неправильной эксплуатации или некачественного технического обслуживания. Инструкции по эксплуатации и техническому обслуживанию прогулочной коляски см. в этом руководстве.
- Неисправность возникла по причине неправильной установки компонентов и/или аксессуаров UPPAbaby. Инструкции по сборке и эксплуатации прогулочной коляски см. в этом руководстве.
- Повреждения вызваны коррозией, плесенью или ржавчиной, возникшими по причине недостаточного технического обслуживания.
- Повреждения вызваны обычным износом в результате ежедневной эксплуатации или небрежного обращения.
- Повреждения вызваны интенсивным солнечным излучением, попаданием пота, моющими веществами, хранением во влажном месте или частым мытьем.
- Неисправность возникла по причине выполнения ремонта или модификации сторонними специалистами.
- Прогулочная коляска приобретена в неофициальном розничном магазине. Утвержденные продавцы указаны на нашем веб-сайте uppababy.com.
- Прогулочная коляска куплена бывшей в употреблении.

Прогулочная коляска повреждена случайно, либо во время перевозки воздушным или иным транспортом.

Компания UPPAbaby оставляет за собой право определять выполнение гарантийных условий. По всем вопросам относительно гарантии обращайтесь к местному дистрибьютору.

الضمان

ت ضماناً ممتدّاً

قدم uppababy ضماناً ممتدّاً لمدة عام واحد بإجمالي ثلاث سنوات على جميع عربات الأطفال ومشايات الأطفال والإكسسوارات المحددة (Piggyback و Changing Station و RumbleSeat و Bassinet).

للحصول على الضمان الإضافي لمدة عام واحد ، يجب على العملاء تسجيل منتجهم في غضون ثلاثة أشهر من الشراء وتقديم إيصال صالح من بائع تجزئة معتمد. إنها طريقتنا في قول شكراً لكم!

سجل منتجك عبر uppababy.com/register.

الضمان المحدود

يتم ضمان منتج uppababy لخلوه من عيوب التصنيع لمدة سنتين ابتداءً من تاريخ الشراء في ظل الاستعمال العادي ووفقاً لتعليمات التشغيل.

هذا الضمان غير قابل للنقل ولا يمتد إلا إلى المشتري الأصلي للمنتج ولا يسري إلا عند تقديم وثيقة إثبات شراء مأخوذة من عميل معتمد. يجب الاحتفاظ بمستند إثبات الشراء للحصول على هذا الضمان.

لا يسري الضمان إلا في الدولة الأصلية للشراء. يخضع هذه الضمان للشروط المنصوص عليها في الدولة التي تم فيها شراء المنتج. وقد تخ تلف الشروط. ولا تقوم شركة uppababy بشحن قطع الغيار أو أجزاء الإصلاح خارج الدولة التي يتم فيها الشراء.

تقوم شركة uppababy بتوريد قطع الغيار أو تقوم بتنفيذ أعمال الإصلاح باعتبار ذلك تركيب تحدده الشركة. وتحفظ شركة uppababy بالحق في استبدال الجزء بقطعة غيار. يمكن استبدال بعض قطع الغيار بأجزاء جديدة للطراز، وذلك لخضوع المنتج للتحسينات بمرور الوقت.

لا يغطي هذا الضمان ما يلي:

- حدوث عيوب بسبب سوء الاستخدام أو الصيانة غير السليمة.
- (الرجاء الرجوع إلى كتيب تعليمات المنتج للحصول على توجيهات بشأن استخدام المنتج وصيانتته).
- التلف الناتج عن التركيب غير السليم لأجزاء و/أو كماليات uppababy.
- (الرجاء الرجوع إلى كتيب تعليمات المنتج من أجل التعرف على طريقة تجميع المنتج واستخدامه).
- التلف الناتج عن تعفن أو صدأ بسبب الإهمال في الصيانة، أو الخدمة، أو التخزين.
- التلف الناتج عن التآكل العادي.
- التلف أو التدهور الناتج عن أشعة الشمس، أو العرق، أو المنظفات، أو التخزين في ظروف رطبة، أو تكرار الغسل.
- أعمال الإصلاح أو التعديلات التي يقوم بها طرف ثالث.
- شراء المنتج من موزع غير معتمد. (تم إدراج الموزعين المعتمدين على موقع الإنترنت uppababy.Com).
- المالكون والمستخدمون من المستوى الثاني بخلاف المسجلين.
- التلف الناتج عن الشحن الجوي أو المناولة.
- المنتجات التي تتعرض لحادث.
- تحتفظ شركة uppababy بالحق في تحديد ما إذا كان قد تم استيفاء شروط الضمان وبندوه.
- خارج الولايات المتحدة وكندا، يرجى الاتصال بالموزع المحلي لديك.
- توجد معلومات الموزعين على موقع الإنترنت uppababy.Com/global-distributors.

التنظيف

قم بتنظيف بقطعة قماش مبللة ومنظف خفيف، مع التجفيف بعناية. يجب عدم استخدام مواد الحكّ. ولمدّ عمر أقمشة المنتج، حافظ على نظافتها ولا تتركها عرضة لضوء الشمس المباشرة لفترات زمنية طويلة. يجب عدم طي المنتج أو تخزينه إذا كان رطباً أو مبللاً، ويجب عدم تخزينه في بيئة رطب.

سريّر أطفال خارجي

يمكنك تنظيف البقع وغسله يدويًا في الماء البارد باستخدام منظف معتدل. يحظر استعمال مبيض. يمكن تجفيفه بشكلٍ مسطحٍ وبعيدًا عن أشعة الشمس المباشرة قبل إعادة الاستخدام أو التخزين. يحظر الكي أو التنظيف المجفف.

سريّر أطفال داخلي

يمكنك غسله في الغسالة بالماء البارد وفي دورة لطيفة باستخدام منظف معتدل. يحظر استعمال مبيض. يمكن تجفيفه بشكلٍ مسطحٍ وبعيدًا عن أشعة الشمس المباشرة قبل إعادة الاستخدام أو التخزين. يحظر الكي أو التنظيف المجفف.

لصيانة والإصلاح

يتطلب هذا الإجراء تنفيذ المستخدم لعمليات الفحص والصيانة بشكلٍ دوري. يجب فحص جميع أجزاء التوصيل (البراشيم والبراغي وغيرها) للتأكد من إحكام ربطها وتثبيتها. يجب فحص جميع الفرامل والإطارات وأحزمة المقعد والأقفال للتأكد من عملها بصورة صحيحة. يجب تنفيذ عمليات الإصلاح الفورية أو الاستبدال عند الحاجة وعدم مواصلة استخدام المنتج في حالة عدم أمان تركيبه.

يجب استخدام قطع غيار UPPAbaby فقط عند الاستبدال. وقد يكون من غير الآمن استخدام قطع الغيار التي توفرها جهات التصنيع الأخرى. اتصل بخدمة العملاء بخصوص أي أسئلة حول الإصلاح.

מורחבת

מורחבת מורחבת

UPPAbaby מציעה אחריות מורחבת לשנה ובסך הכול לשלוש שנים על כל העגלות, הלולים והאביזרים הנבחרים (סל שכביה, RumbleSeat, תיקי החתלה וטרמפיסט).

כדי לקבל את האחריות הנוספת לשנה, הלקוחות חייבים לרשום את המוצר שלהם תוך שלושה חודשים ממועד הרכישה ולספק קבלה תקפה קמעונאי מורשה. זו הדרך שלנו להגיד תודה!

רשום את המוצר שלך בכתובת uppababy.com/register{0}

אחריות מוגבלת

אנו מתחייבים שמוצר UPPAbaby סופק לך כשהוא נקי מפגמי ייצור למשך תקופה של שנתיים ממועד הרכישה בתנאי שימוש רגיל וציות להוראות ההפעלה.

אחריות זו אינה ניתנת להעברה והיא חלה רק על הרוכש המקורי, בכפוף להצגת הוכחת רכישה ממשוק מורשה בלבד. יש לשמור על הוכחת הרכישה כדי ליהנות מאחריות זו.

האחריות תקפה אך ורק בארץ המקורית שבה בוצעה הרכישה. אחריות זה כפופה לתנאים כפי שנקבעו בארץ שבה נרכשו הפריטים. התנאים עשויים להשתנות. UPPAbaby לא תשלח חלקי חילוף או תיקון לארץ שאינה הארץ שבה נקנה המוצר.

UPPAbaby תספק חלקי חילוף או תבצע תיקונים כפי שייראה לנכון על-ידי החברה. UPPAbaby שומרת לעצמה את הזכות להחליף פריט בחלק חלופי. ייתכן שחלק מהחלקים יוחלפו בחלקים של דגמים חדשים יותר מאחר שהפריט הולך ומשתפר עם הזמן.

האחריות אינה מכסה את המקרים הבאים:

- הפגם נגרם כתוצאה משימוש לא נכון או תחזוקה לקויה.
 - (יש לעיין בחוברת ההוראות של המוצר לקבלת הנחיות לתחזוקת הפריטים ולשימוש בהם).
 - הנזק נגרם כתוצאה מהתקנה לא נכונה של החלקים ו/או האביזרים של UPPAbaby.
 - (יש לעיין בחוברת ההוראות של המוצר לקבלת הנחיות להרכבת הפריטים ולשימוש בהם).
 - הנזק נגרם עקב קורוזיה, עובש או חלודה כתוצאה מתחזוקה, אחסון או טיפול לקויים.
 - נזק שנגרם עקב בלאי נורמלי.
 - הנזק או הליקוי נגרמו כתוצאה מחשיפה לשמש, זיעה, חומרי ניקוי, אחסון בתנאי לחות או שטיפות תכופות.
 - בוצעו תיקונים או שינויים על-ידי גורם צד שלישי.
 - המוצר נרכש ממשוק לא מורשה.
 - (רשימת המשווקים המורשים מופיעה באתר האינטרנט שלנו בכתובת uppababy.com).
 - המשתמש הוא הבעלים השני של המוצר ולא האדם שרשום כבעלים.
 - נזק שנגרם כתוצאה מהובלה וטיפול של חברת תעופה.
 - מוצרים שהיו מעורבים בתאונה.
 - UPPAbaby שומרת לעצמה את הזכות לקבוע אם התנאים וההנחיות של האחריות מולאו.
- מחוץ לארה"ב וקנדה יש לפנות למשווק המקומי.
מידע על המשווקים ניתן למצוא בכתובת uppababy.com/global-distributors

בניקוי

יש לנקות את השלדה עם מטלית טבולה קלות בדטרגנט עדין ולאחר מכן, לייבש בצורה יסודית. אין להשתמש בחומרים שוחקים. על מנת לארוך את חיי הבדים שעל המוצר שלך, יש לשמור עליהם נקיים ולא להשאיר את המוצר באור שמש ישיר למשך זמן רב. אסור לקפל או לאחסן את המוצר כשהוא רטוב או לח או לאחסנו בסביבה לחה.

חלקי הבד החיצוניים של העריסה



ניתן לנקות את הכתמים או לשטוף ידנית במים קרים וחומר ניקוי עדין. אין להלבין.

יש לייבש את הפרט כאשר הוא מונח שטוח ולהרחיק אותו מאור שמש ישיר לפני שימוש חוזר או אחסון. אין לגהץ או לתת לניקוי יבש.

חלקי הבד הפנימיים של העריסה



יש לכבס במכונת כביסה במחזור קר ועדין עם חומר ניקוי עדין. אין להלבין.

יש לייבש את הפרט כאשר הוא מונח שטוח ולהרחיק אותו מאור שמש ישיר לפני שימוש חוזר או אחסון. אין לגהץ או לתת לניקוי יבש.

תחזוקה ותיקונים

על המשתמש לבדוק את המוצר ולתחזק אותו באופן סדיר. כדי לוודא הידוק ובטיחות, יש לבדוק את כל הציוד המחובר (מסמרות, ברגים וכד'). יש לבדוק את פעולתם התקינה של כל הבלמים, הצמיגים, רתמות המושב והנעילות. יש לתקן ולהחליף בצורה מיידית לפי הצורך. אסור להמשיך להשתמש במוצר אם אינו בטוח לחלוטין מבחינה מבנית.

יש להשתמש אך ורק בחלקי חילוף של UPPAbaby. שימוש בחלקי חילוף שסופקו על ידי יצרנים אחרים עלול להיות מסוכן.

清洗

使用湿布和温和清洁剂清洗(底盘)(车架);彻底干燥。严禁使用磨蚀材料。

如果(底盘)(车架)部件接触了盐水,我们建议您尽快使用自来水冲洗以避免腐蚀。如果车架弄湿,请务必擦干。

为延长产品面料的使用寿命,请保持表面干净整洁,避免长时间的阳光直射。

产品如果潮湿或受潮,请不要折叠或收纳,也不要收纳在潮湿的环境中。

睡篮外部

使用温和的洗涤剂在冷水中局部清洁或手洗。切勿漂洗。

在重新使用或存放之前,请平铺晾干并避免阳光直射。

切勿熨烫或干洗。

睡篮内部

使用温和的洗涤剂在冷水中轻柔机洗。切勿漂洗。

在重新使用或存放之前,请平铺晾干并避免阳光直射。

切勿熨烫或干洗。

保养和修理

本产品需要用户定期检查和保养。检查所有连接硬件(铆钉、螺丝等),看是否紧固和安全。检查所有刹车、轮胎、座椅背带和锁定机构,看是否正确运行。根据需要及时维修或更换,如果发现产品结构上不安全,请勿继续使用。

只能使用 UPPAbaby 的替换部件。使用其他制造商提供的部件可能不安全。

如有任何维修方面的问题请联系客服。

保修 延保

UPPAbaby 为所有婴儿车、游戏床和特定配件（睡篮、第二座椅、换尿布台和滑行板）提供一年延保，总共三年的质保期。

如需获得额外的一年延保，客户必须在购买后三个月内注册其产品 并提供从授权零售商购买的有效凭证。
谨以这种方式向您表示感谢！

如需注册产品，请登录 uppababy.com/register。

有限保修

自 UPPAbaby 产品购买之日起的 2 年内，在正常使用和遵循操作说明的情况下，出现的制造缺陷均在保修范围内。

此保修不可转让，仅适用于原始零售购买者，并且仅在提供授权零售商出具的购买凭证的情况下有效。必须保留购买凭证才能享受此保修服务。

保修仅在原始购买国家/地区有效。此保修受产品购买地所在的国家/地区所规定的条件的约束。条件可能会发生变化。UPPAbaby 不会将替换件或维修件运送至购买地国家/地区之外。

UPPAbaby 将在公司认为合适的情况下提供替换件或进行维修。UPPAbaby 保留将产品部件与替换件互换的权利。由于产品在不断改进，因此某些部件可能会替换为更新型号的部件。

此保修不包括：

- 滥用或维护不善造成的缺陷。（请参考产品说明书以了解有关产品使用和维护的指导信息）。
- 因 UPPAbaby 部件和/或配件安装不当导致的损坏。（请参考产品说明书以了解有关产品装配和使用的指导信息）。
- 因维护、维修或存放不当造成的腐蚀、发霉或生锈所导致的损坏。
- 正常磨损造成的损坏。
- 阳光、汗渍、清洁剂、潮湿存放条件或频繁清洗造成的损坏或退化。
- 由第三方执行的维修或改装。
- 从未经授权的零售商处购买的产品。（我们的网站 uppababy.com 上列出了授权零售商）。
- 除注册人之外的第二个所有者和用户。
- 航空公司运输和处理造成的损坏。
- 涉及事故的产品。

UPPAbaby 保留决定是否符合保修条款和条件的权利。

在美国和加拿大以外，请联系您当地的经销商。

有关经销商信息，请访问 uppababy.com/global-distributors。